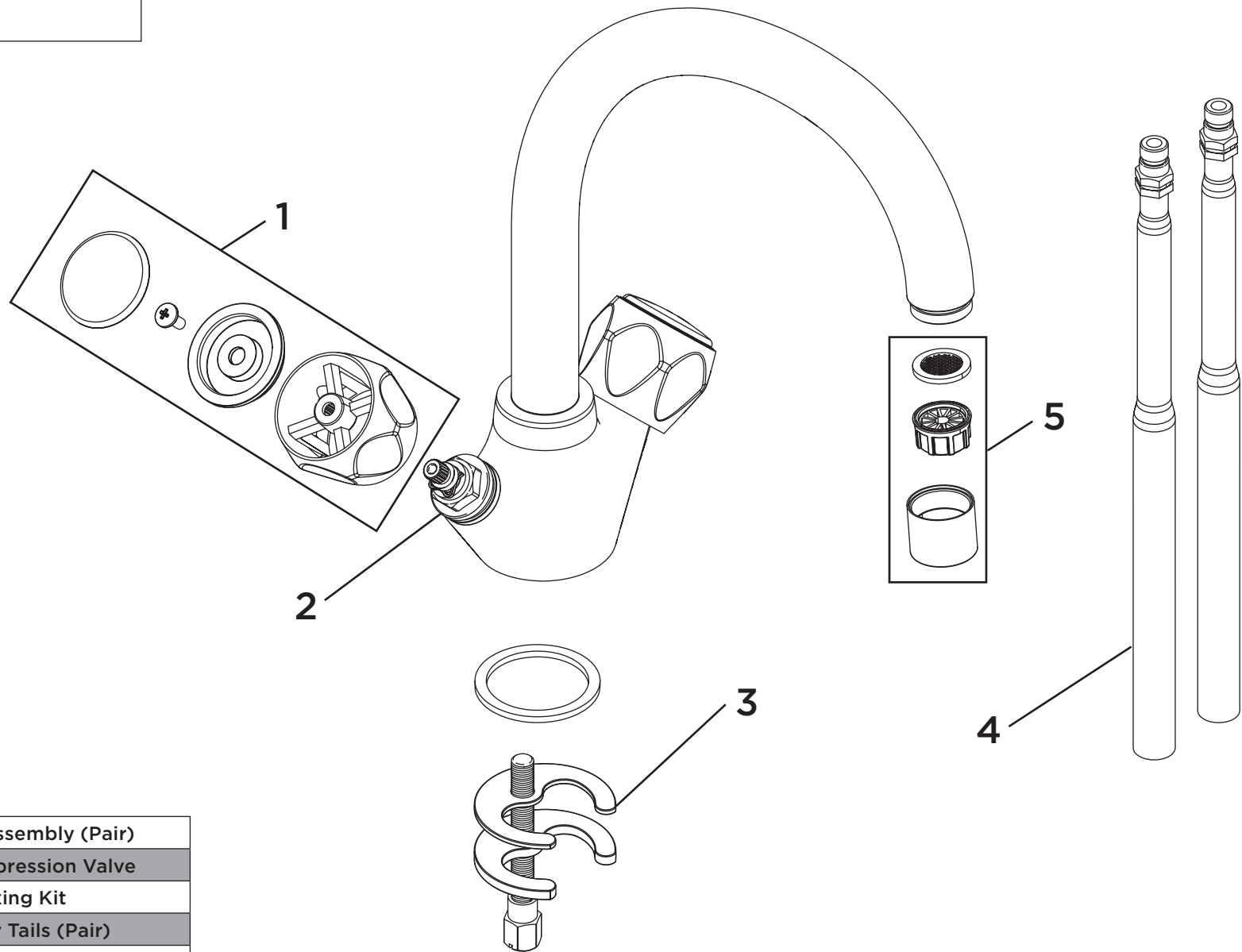


Product Code: VAC2 SNK C MT**Revision:** D1

1	Handle Assembly (Pair)
3	1/2" Compression Valve
4	Fixing Kit
5	Copper Tails (Pair)
6	M22 Flow Straightener