



### Specification

|  |                         |
|--|-------------------------|
| Main Construction Material:            | Composite Resin         |
| Number of Tap Holes:                   | 1                       |
| Product Finish:                        | Black                   |
| Sink Type:                             | 1 Bowl                  |
| Connection Inlet:                      | 1/2" BSP Flexible Tails |
| Connection Outlet:                     | G 1 1/2"                |
| Product Orientation:                   | Right Drainer           |
| Drainage Flow Rate (litres per minute) | 38.6                    |

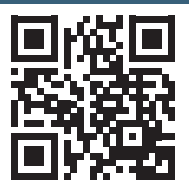
### Features:

- Easy installation: pre-fitted with Easyfit tap base, flexible inlet pipes and isolators
- Everything you need: strainer waste, overflow, pipework and fixings included
- Made to last: Highly durable 80% Quartz, anti-bacterial composite material
- Includes cutting-hole template
- 25 year guarantee (Easyfit base 10 years\*)

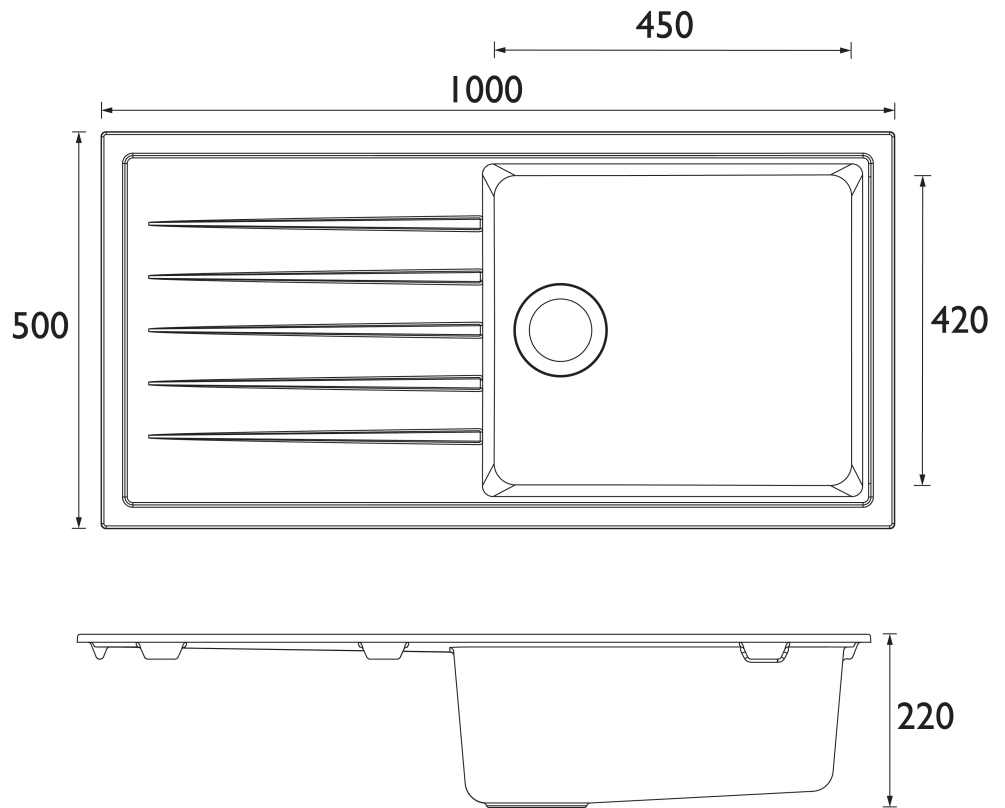
### Product Certifications:



For more products, visit our website:  
<http://www.bristan.com>



### Dimensions (measurements in mm)



**Minimum Cabinet Width: 600mm**

## TECHNICAL DATA SHEET



Kitchen Sinks Easyfit Base Easyfit Base\* Waste kit

# BRISTAN

D4