

# J SFSNK EF WHT TO

## JAVA Tap Range Java Single Flow Easyfit Mono Sink Mixer White Tap Only



### Specification

|  |                          |
|--|--------------------------|
| <b>Product Type:</b>                     | Kitchen Taps             |
| <b>Main Construction Material:</b>       | Brass                    |
| <b>Mount Type:</b>                       | Deck Mounted             |
| <b>Handle Type:</b>                      | Lever                    |
| <b>Connection Inlet:</b>                 | 1/2" BSP Flexible Tails  |
| <b>Connection Outlet:</b>                |                          |
| <b>Number of Tap Holes:</b>              | 1                        |
| <b>Valve/Cartridge Type:</b>             | Ceramic Cartridge        |
| <b>Plumbing System Requirements:</b>     | All, Preferably Balanced |
| <b>Working Pressure Range:</b>           | Min 0.3 Bar, Max 5.0 Bar |
| <b>Maximum Hot Water Temperature: °C</b> | 65                       |
| <b>Maximum Static Pressure: (bar)</b>    | 10                       |
| <b>Flow Type:</b>                        | Single Flow              |
| <b>Isolation Included:</b>               | Yes                      |

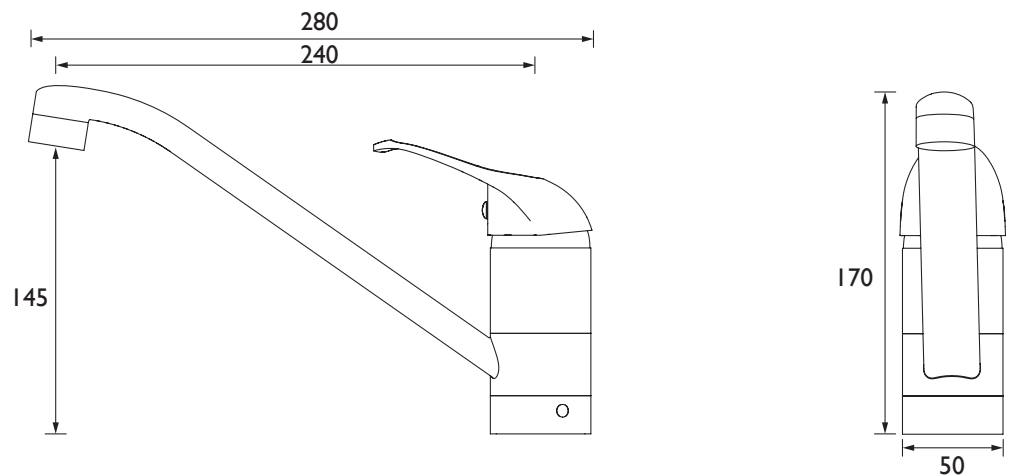
### Features:

- Long life ceramic cartridge for added durability and ease of use
- Metal fixing nut for added durability
- Product supplied without Easyfit base

### Product Certifications:



### Dimensions (measurements in mm)



For more products, visit our website:  
<http://www.bristan.com>



### Flow Rates (l/min)

| System Pressure (bar) | 0.2 | 0.5  | 1    | 2    | 3  | 5    |
|-----------------------|-----|------|------|------|----|------|
| J SFSNK EF WHT TO     | 8.9 | 11.4 | 16.2 | 22.9 | 28 | 36.2 |

TECHNICAL  
DATA  
SHEET



**BRISTAN**  
TAPS & SHOWERS

D1