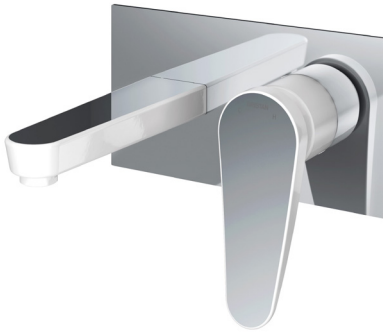


CLR WMBF WHT

CLARET Tap Range Claret Wall Mounted Bath Filler White & Chrome



Features:

- Long life ceramic cartridge for added durability and ease of use
- Easy to use metal handle
- Minimum working pressure of 0.3 bar
- Not suitable for use with roll top-baths.

Product Certifications:

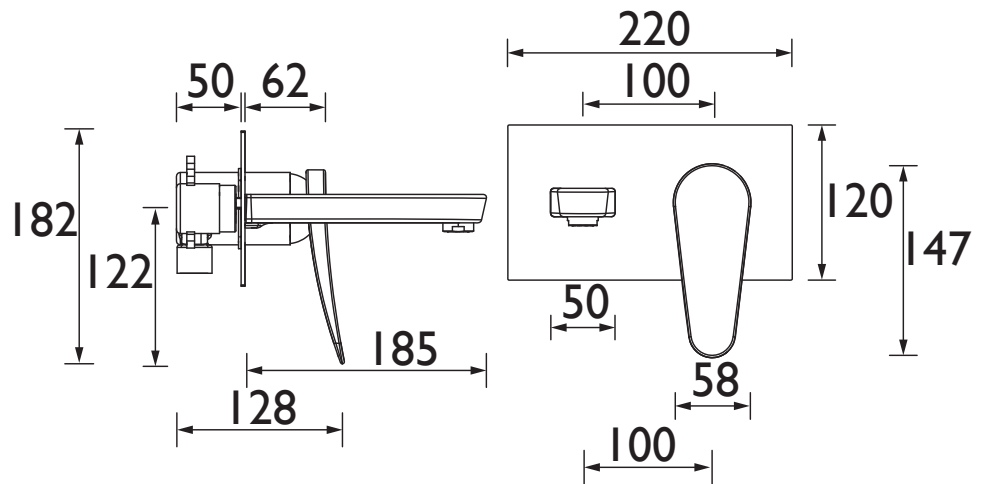
For more products, visit our website:
<http://www.bristan.com>



Specification

Product Type:	Bathroom Taps
Main Construction Material:	Brass
Mount Type:	Wall
Handle Type:	Triangular
Connection Inlet:	15mm Compression
Connection Outlet:	M24 Coin Slot Aerator
Number of Tap Holes:	2
Valve/Cartridge Type:	45mm Single Lever Cartridge
Plumbing System Requirements:	Suitable for all plumbing systems
Minimum Dynamic Pressure (bar):	0.3 bar
Maximum Dynamic Pressure (bar):	5 bar
Maximum Hot Water Temperature °C:	65°C
Maximum Static Pressure (bar):	10 bar
Flow Type:	Single
Isolation Included:	No

Dimensions (measurements in mm)



Flow Rates (l/min)

System Pressure (bar)	0.3	0.5	1	2	3	5
CLR WMBF C (mixed)	13.9	18	26.2	31.4	35	45.2

TECHNICAL
DATA
SHEET



BRISTAN

D7