

BRISTAN

Installation Instructions & User Guide

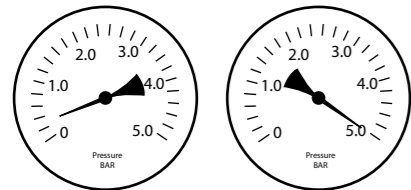
Please leave these instructions with the end user

Product Code: PM2 SHCDIV C (D9)

Specifications

Dynamic Water Pressure

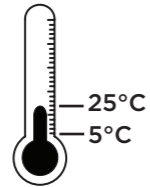
Min: 0.2 bar Max: 5.0 bar



Maximum Static Pressure: 10.0 bar

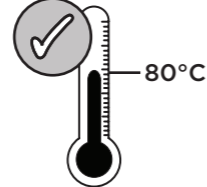
Inlet Water Temperature

Cold Water Supply



Min: 5°C Max: 25°C

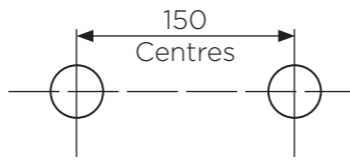
Hot Water Supply



65°C Recommended

IMPORTANT The inlet hot water must be at least 10°C above the required blend temperature.

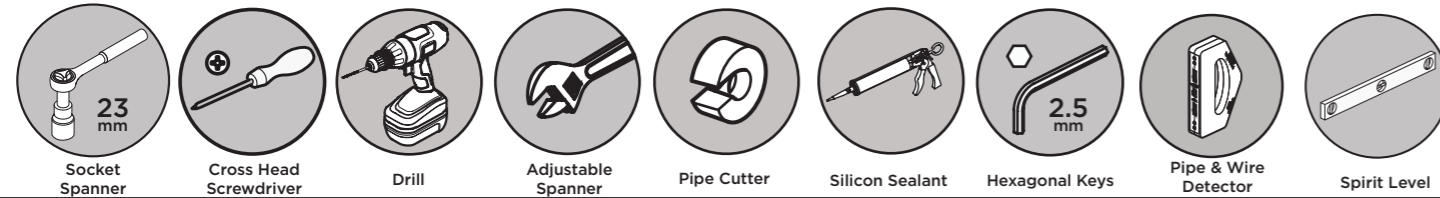
Inlet Dimensions



Inlet Connections



Tools You'll Need



Prior to Installation

All products manufactured and supplied by Bristan are safe to use provided that they are installed, operated and receive regular maintenance in accordance with these instructions.

This product needs to be installed in accordance with, and meet the requirements of The Water Supply (Water Fittings) Regulations (Northern Ireland) 2009 and The Water Supply (Water Fittings) (Scotland) Byelaws 2014. For full Installation Requirements & Notes (IRN) please visit wras.co.uk/directory.

Isolation valves must be fitted to the inlet water supplies to ensure ease of future maintenance.

Before installing this product the water supply must be thoroughly flushed in order to remove any swarf, solder etc. Full access must be made available for future maintenance/servicing purposes.

Before drilling into walls, check that there are no hidden electrical wires, cables or water supply pipes. This can be checked with the aid of an electronic detector.

If power tools are used do not forget to:

- Wear eye protection
- Unplug equipment after use

This product must not be modified in any way as this will invalidate the guarantee.

If in doubt, contact a registered plumber, your Local Water Authority or the Secretary of the Institute of Plumbing, address as follows:-

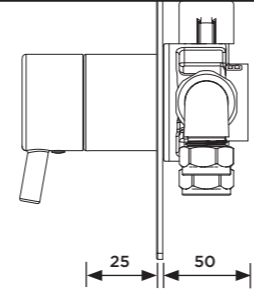
The Institute of Plumbing,
64 Station Lane,
Hornchurch,
Essex,
RM12 6NB, Tel: 01708 472791

Cavity Dimensions (mm)

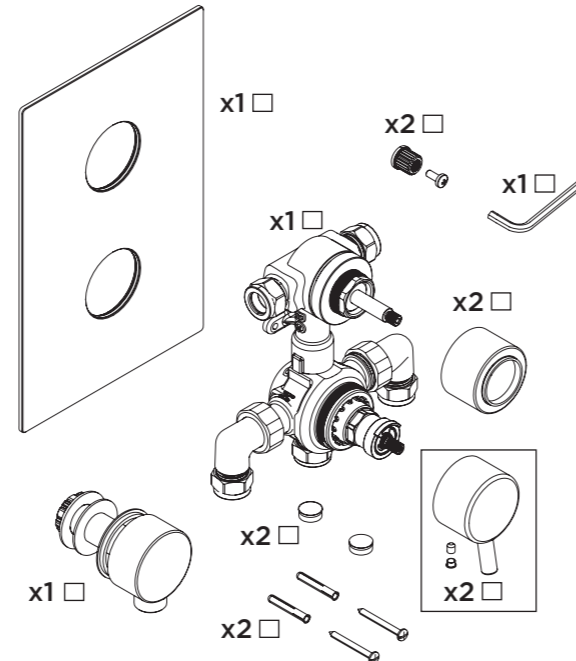
Minimum Fitting Depth: 50mm

Maximum Fitting Depth: 75mm

Concealing Plate Adjustment Range: 25mm



Pack Contents



Valve Configuration

1

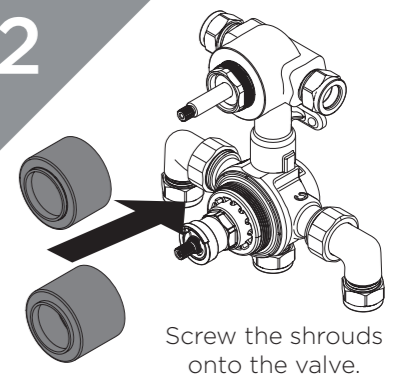
IMPORTANT If installed in conjunction with combination boiler flow regulators **must** be fitted.

Yellow Flow Limiter (Hot)

Green Flow Limiter (Cold)

Remove the inlet elbows and filters. Remove the plastic inserts from the valve inlets and insert the flow regulators. Replace the elbows, ensuring the filters are fitted.

2

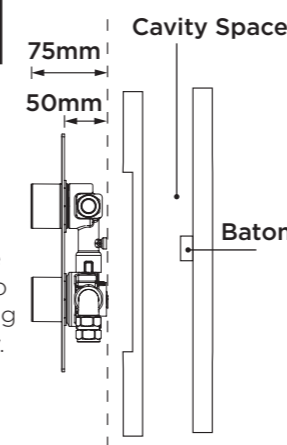


Screw the shrouds onto the valve.

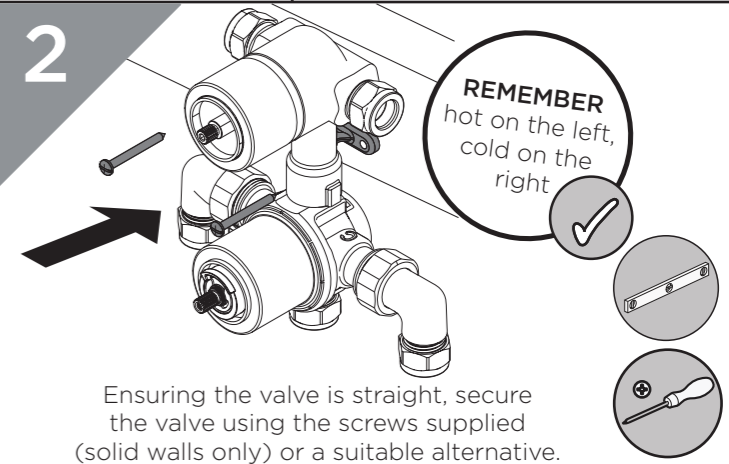
Installation

1

Install suitable batons (if required) into the cavity. Take the finished wall surface into consideration when fitting the valve into the cavity. Mark the position of the valve; drill and plug holes to suit.



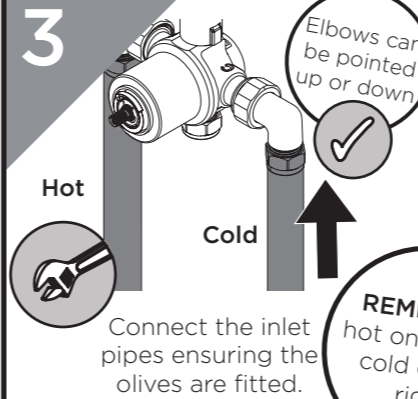
2



REMEMBER hot on the left, cold on the right

Ensuring the valve is straight, secure the valve using the screws supplied (solid walls only) or a suitable alternative.

3



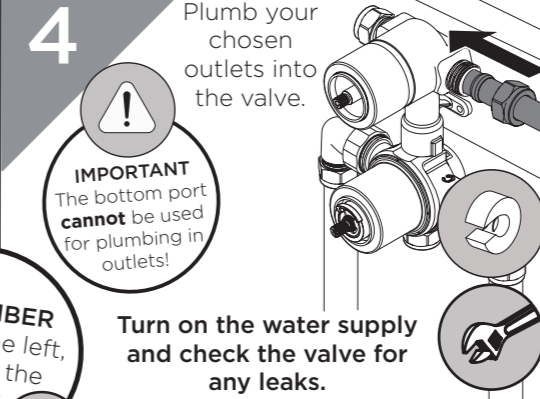
Hot

Cold

REMEMBER hot on the left, cold on the right

Connect the inlet pipes ensuring the olives are fitted.

4

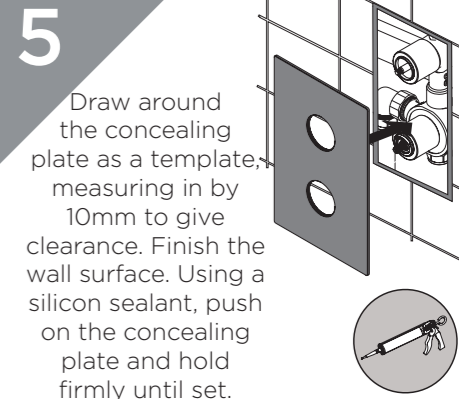


Plumb your chosen outlets into the valve.

IMPORTANT The bottom port cannot be used for plumbing in outlets!

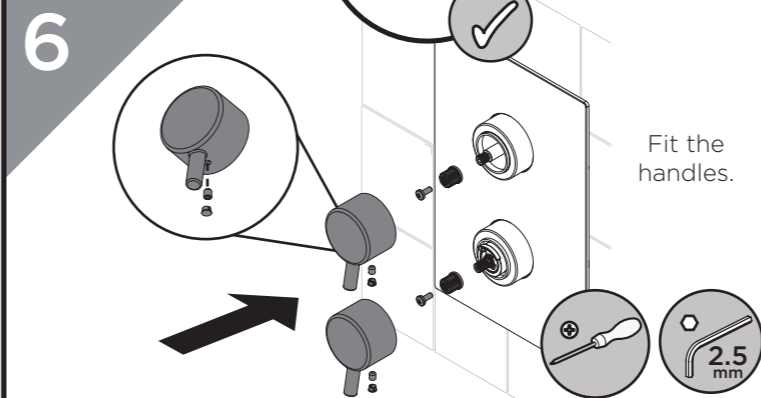
Turn on the water supply and check the valve for any leaks.

5



Draw around the concealing plate as a template, measuring in by 10mm to give clearance. Finish the wall surface. Using a silicon sealant, push on the concealing plate and hold firmly until set.

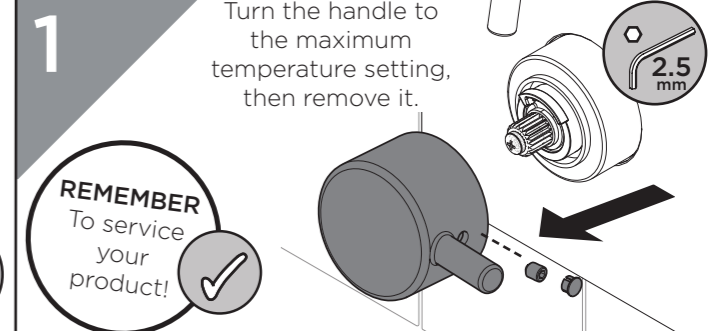
6



Fit the handles.

Temperature Adjustment

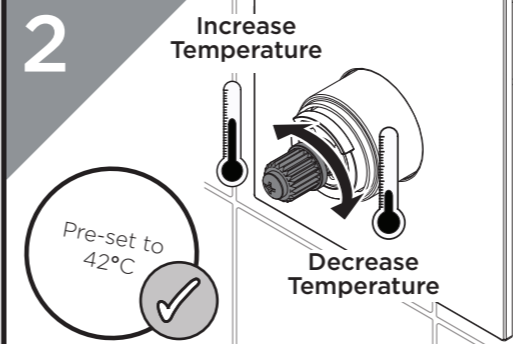
1



Turn the handle to the maximum temperature setting, then remove it.

REMEMBER To service your product!

2



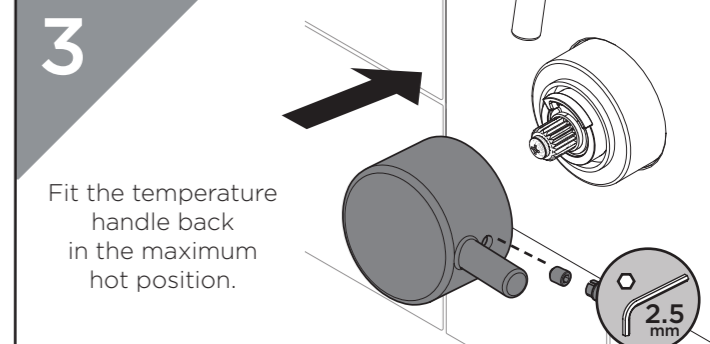
Increase Temperature

Decrease Temperature

Pre-set to 42°C

Turn the spindle to increase or decrease the temperature. Check the temperature and adjust until you achieve the desired result.

3



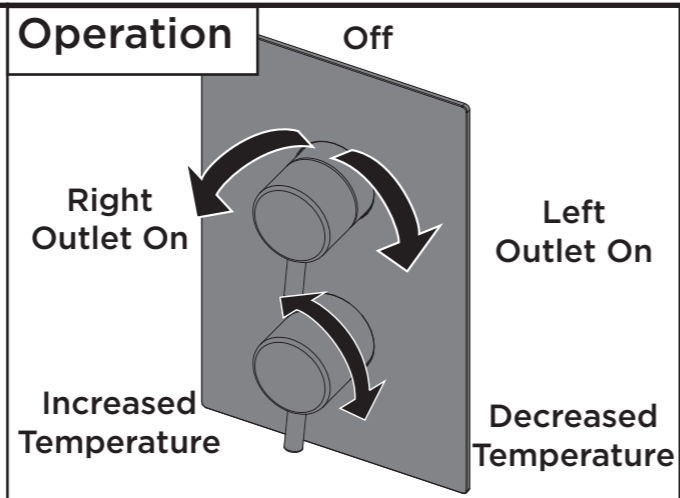
Fit the temperature handle back in the maximum hot position.

General Cleaning

Bristan products are made from premium materials, with hand polished, PVD, EPD or electroplated finishes.

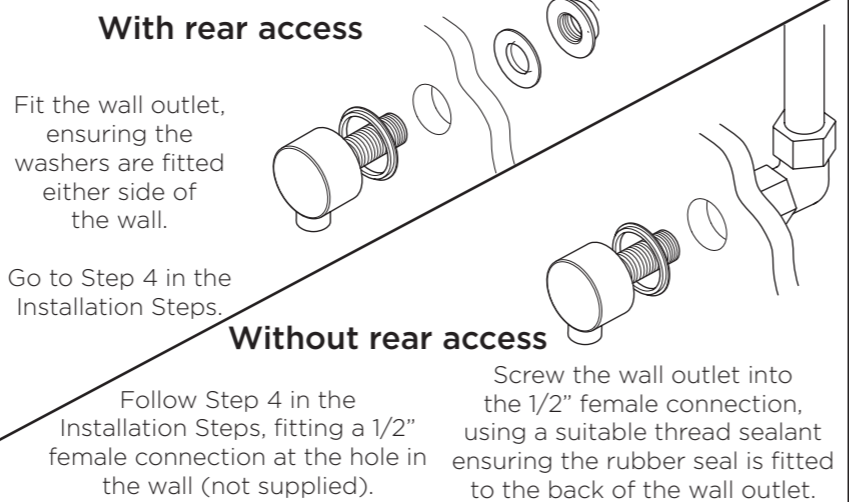
Your shower should be regularly cleaned with warm water, a mild pH-neutral liquid soap, and polished with a soft cloth. Any residues from soap, toothpaste, shampoos and shower gels can cause blemishes if not rinsed off straight after use.

Household bleaches and cleaners contain harsh chemicals and may damage the surface finish. Avoid using abrasive cloths, scouring pads, scrub sponges, steel wool or anything similar.



Wall Outlet Installation

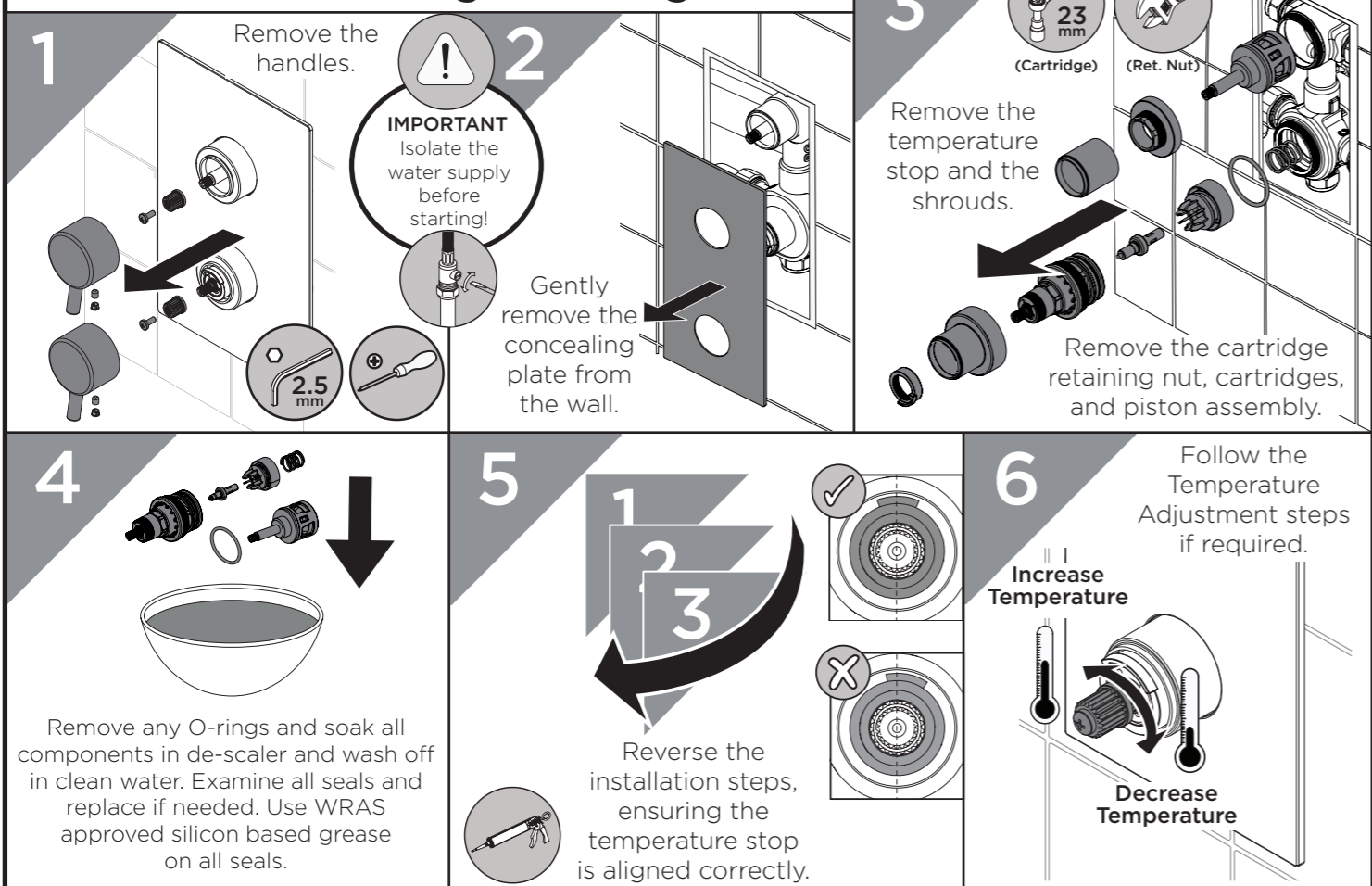
Choose the location for the wall outlet and create a 25-30mm hole in the wall. Ensure your shower accessories have enough reach from that position. Finish the wall surface.



Servicing Intervals

To reduce the build up of lime scale and to ensure this shower works to its maximum performance we recommend this shower is serviced every 6-12 months depending on the hardness of your water.

Maintenance - Cartridge Cleaning



Troubleshooting

| Symptom | Cause | Remedy |
|--|---|--|
| No flow or low flow rate | Partially closed isolation valve. | Open isolation valve. |
| | Instantaneous water heater cycles on and off as flow rate or pressure is too low. | Increase water flow rate or pressure through system. |
| | Head of water is below the minimum distance required. | Refer to the specification for the minimum distance required. |
| | Are the water supply pressures balanced? | If pressures are unbalanced, a pressure reducing valve should be used for optimum performance. |
| | Hot or cold water being drawn off elsewhere causing pressure changes or instantaneous boiler temperature changes. | Do not use other water outlets when using the shower. |
| | Airlock or partial blockage in the supply pipework. | Flush through pipework and filters to ensure removal of debris and any airlocks. |
| Maximum Water Temperature too Hot/Cold | Hot/Cold water supply has failed | Check the hot and cold feeds. The shower will not work if either fails. |
| | Maximum Water Temperature needs adjusting. | Refer to the Temperature Setting section to set your desired maximum temperature. |
| | Filter/pipe blockage | Flush through pipework and filters to ensure removal of debris and any airlocks. |
| | Installation conditions outside operating parameters. | Refer to the specification for the minimum distance required. |
| Outlet Water Temperature too Hot/Cold | Hot water temperature is less than 10°C above the required blend temperature | Adjust hot water temperature or wait for water to reheat if a stored water system is used. |
| | Instantaneous water not igniting because the water flow rate is too low. | Increase water flow rate through the system. Refer to the Maintenance section to clean/check the cartridge and filters for any damage. Contact your boiler manufacturer. |
| | Instantaneous water not igniting because the water pressure is too low. | Refer to the specification for system requirements. Increase water pressure through the system. Contact your boiler manufacturer. |
| | Only hot/cold water from Shower Valve | Inlet water supplies are reversed. |
| Water dripping from shower | Filter/pipe blockage | Flush through pipework and filters to ensure removal of debris and any airlocks. |
| | This is normal for a short time after using the shower. | This is caused by residual water tension, the build up of water in the shower. |
| Shower does not turn on | If water continues to drip, possibly due to the cartridge | Remove cartridge and clean, refer to 'Maintenance' section before starting any maintenance. |
| | Closed isolation valve. | Open isolation valve. |
| | Mains water supply turned off. | Turn on mains water supply. |

Our Guarantee



At Bristan, we offer solid guarantees on all our products, effective from the date of purchase.

To start your free guarantee, register your product by visiting: www.bristan.com/register

For full guarantee terms and conditions visit: www.bristan.com/service-centre/guarantees.

Contact Us

Bristan Group Ltd.
A Masco Company

UK: Bristan Group, Pooley Hall Drive, Birch Coppice Business Park, Dordon, Tamworth B78 1SG.

EU: Masco Europe S.à.r.l. 14 Rue Strachen 6933 Mensdorf Luxembourg

Email Us: enquire@bristan.com
Website: www.bristan.com
Call Us: +44330 026 6273

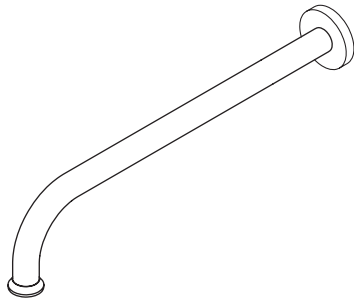


BRISTAN

TAPS & SHOWERS

Installation Instructions and User Guide

Fixed Shower Arm



Models covered: ARM CTRD01 C,
ARM CTRD01 G, ARM CTRD02 C,
ARM CTRD02 G, ARM WARD01 C &
ARM WASQ01 C

Please keep this booklet for future
reference.

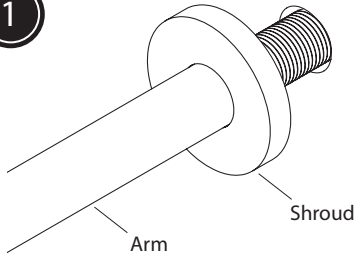
Installer, when you have read these
instructions please ensure you leave

Important Safety Information

- Please read these instructions thoroughly and retain for future use.
- All products manufactured and supplied by Heritage are safe provided they are installed, used correctly and receive regular maintenance in accordance with these instructions.
- If you are in any doubt about your ability to install this product safely you must employ the services of an experienced qualified tradesman.
- Remove all packaging and check there are no missing or damaged parts.
- Before starting any installation please consider the following:
 - Before drilling into walls, check that there are no hidden electrical wires, cables or water supply pipes. This can be checked with the aid of an electronic detector.
- If power tools are used do not forget to:
 - Wear eye protection
 - Unplug equipment after use
- This product must not be modified in any way as this will invalidate the guarantee.

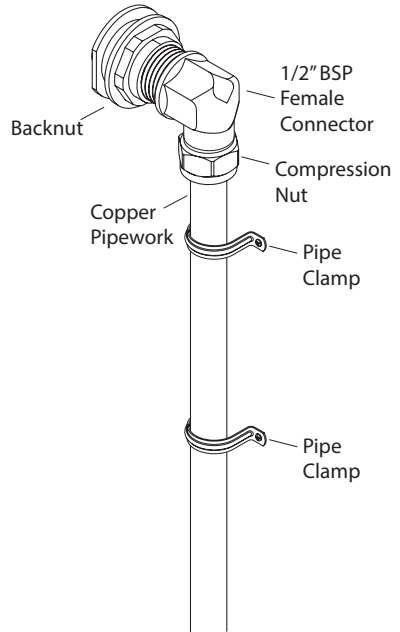
Installation

1



Thread the arm through the stud wall and into a 1/2" BSP female connection.

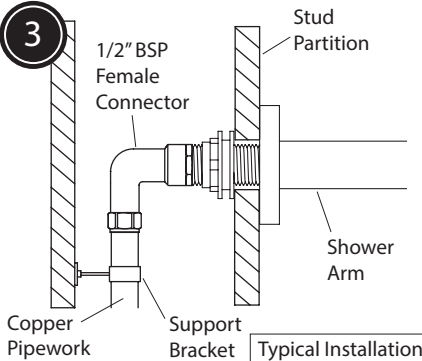
2



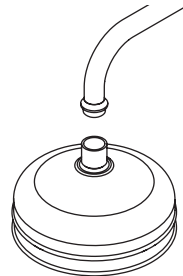
Secure the arm in position by tightening the clamp and backnut. The supply pipework to the shower valve must be rigid and secured in position with the use of pipe clamps.

See step 3 for a typical installation.

3



4



Screw the shower rose (not supplied) onto the shower arm. Ensure the sealing washer is used.

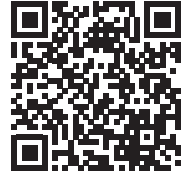
Notes

Please use this space to add any notes you or your installer may have regarding the plumbing system / installation of this product.

Guarantee

At Bristan, we want to make things as easy as possible for our customers. That's why we offer solid guarantees on all our products, effective from the date of purchase, to give you peace of mind.

To start your free guarantee simply scan the QR code and register your product. Alternatively visit www.bristan.com/register.



For any other queries please call our Customer Service on 0330 026 6273 where our expert team of advisors will be able to offer you any help and

Part Number: FI ARM CTRD02

Issue: D4

BRISTAN
TAPS & SHOWERS

TELEPHONE HELPLINE: 0330 026 6273

Bristan Group Limited

UK: Bristan Group

B78 1SG

EU: Masco Group S.à.r.l

14 Rue Strachen

6933 Mensdorf

Luxembourg

BRISTAN

Installation Instructions & User Guide

Please leave these instructions with the end user

FHC ABRD01 Range (D2)

Specifications

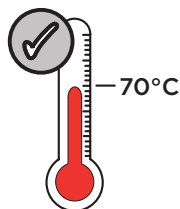
Dynamic Water Pressure

Min: 0.2 bar Max: 5.0 bar



Maximum Static Pressure: 10.0 bar

Inlet Water Temperature



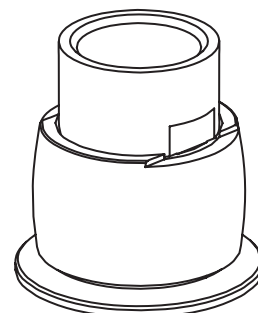
Maximum Hot 70°C

IMPORTANT

The inlet hot water must be at least 10°C above the require blend temperature.



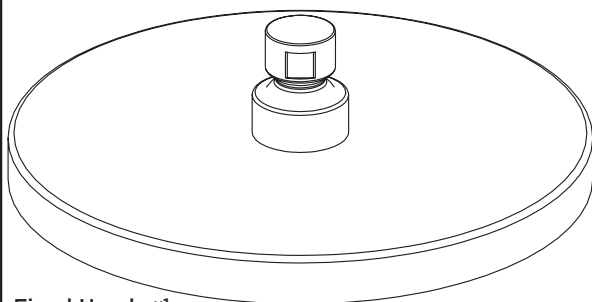
Inlet Connections



1/2" BSP (female)

Pack Contents

Filter Washer x1

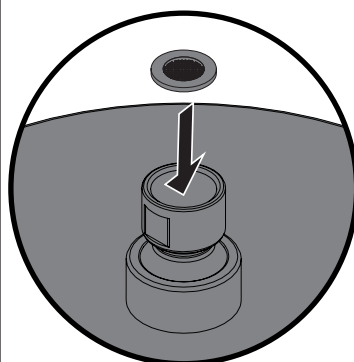


Fixed Head x1

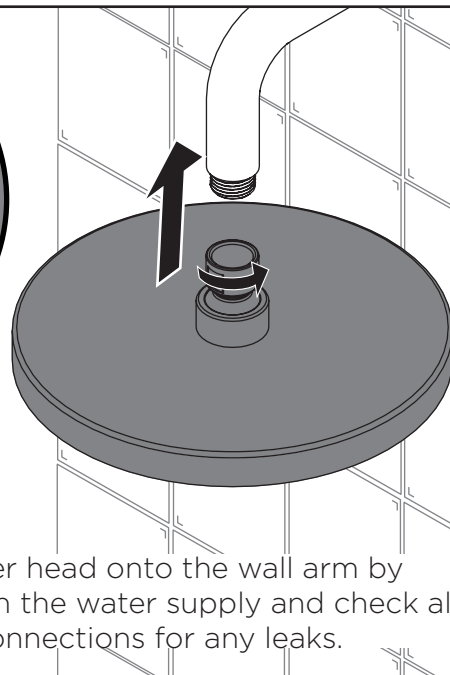
Installation



Products shown in these instructions are for illustration purposes only. Your shower can still be installed and operated by following these instructions.

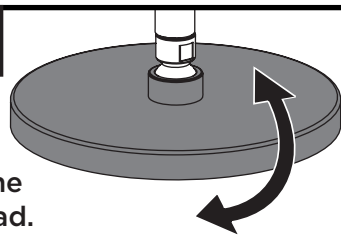


Ensure the filter washer is correctly inserted into the fixed head.



Screw the shower head onto the wall arm by **HAND ONLY**. Turn on the water supply and check all joints and connections for any leaks.

Operation



Tilt to adjust the angle of the head.

Prior to Installation

All products manufactured and supplied by Bristan are safe to use provided that they are installed, operated and receive regular maintenance in accordance with these instructions.

This product needs to be installed in accordance with, and meet the requirements of The Water Supply (Water Fittings) Regulations (Northern Ireland) 2009 and The Water Supply (Water Fittings) (Scotland) Byelaws 2014. For full Installation Requirements & Notes (IRN) please visit www.wrasapprovals.co.uk/approvals-directory

Isolation valves must be fitted to the inlet water supplies to ensure ease of future maintenance. Before installing this product the water supply must be thoroughly flushed in order to remove any swarf, solder etc. Full access must be made available for future maintenance/servicing purposes.

If power tools are used do not forget to: - Wear eye protection - Unplug equipment after use

This product must not be modified in any way as this will invalidate the guarantee.

Spare Parts



To replace any spare parts for your tap, why not scan the QR Code or visit www.bristan.com and search for your product.

Cleaning

General Cleaning

Bristan products are made from premium materials, with hand polished, PVD, EPD or electroplated finishes. Your product should be regularly cleaned with warm water, a mild pH-neutral liquid soap, and polished with a soft cloth. Any residues from soap, toothpaste, shampoos and shower gels can cause blemishes if not rinsed off straight after use.

Household bleaches and cleaners contain harsh chemicals and may damage the surface finish. Avoid using abrasive cloths, scouring pads, scrub sponges, steel wool or anything similar.

Cleaning The Shower Head

Your Bristan shower head is equipped with rub-clean nozzles for easy cleaning. Simply rub your fingers across the rubber spray jets regularly and before you turn the shower on to remove and scale or debris.

The hardness of the water in your area will determine how often you should clean your shower head. Build up of scale in particularly hard water areas combined with constant use means you may need to clean your shower head weekly. To ensure continued performance, the shower head needs to be regularly de-scaled.

Contact Us

Bristan Group Ltd.
A Masco Company

BRISTAN

Part of **BRISTAN GROUP**

UK: Bristan Group,
Pooley Hall Drive,
Birch Coppice Business Park,
Dordon, Tamworth
B78 1SG.

EU: Masco Europe S.à.r.l.
14 Rue Strachen
6933 Mensdorf
Luxembourg

Email Us: enquire@bristan.com
Website: www.bristan.com
Call Us: +44330 026 6273

Our Guarantee

At Bristan, we want to make things as easy as possible for our customers. That's why we offer solid guarantees on all our products, effective from the date of purchase, to give you peace of mind.

To start your free guarantee simply scan the QR code and register your product. Alternatively visit www.bristan.com/register.

For any other queries, please call our Customer Service on 0330 026 6273 where our expert team of advisors will be able to offer you any help and advice.

For full guarantee terms and conditions visit www.bristan.com/service-centre/guarantees.



BRISTAN

Installation Instructions and User Guide

Bath Filler with Pop-Up Waste
and Overflow

Models Covered:

W BATH09 C

**Please keep this booklet for future
reference.**

**Installer, when you have read these
instructions please ensure you leave
them with the user.**

Introduction

Thank you for choosing Bristan, the UK's leading taps and showers expert. We have designed this product with your enjoyment in mind. To ensure that it works to its full potential, it needs to be fitted correctly. These fitting instructions have been created to give you all of the information you need and, if you need any further help, please do not hesitate to give us a call on 0330 026 6273.

Specification

All products manufactured and supplied by Bristan are safe to use provided that they are installed, operated and receive regular maintenance in accordance with these instructions.

This product needs to be installed in accordance with, and meet the requirements of the Water Supply (Water Fittings) Regulations 1999 and current by-laws. For full Installation Requirements & Notes (IRN) please visit wras.co.uk/directory.

Isolation valves must be fitted to the inlet water supplies to ensure ease of future maintenance.

Before installing this product the water supply must be thoroughly flushed in order to remove any swarf, solder etc. Full access must be made available for future maintenance/servicing purposes.

This product must not be modified in any way as this will invalidate the guarantee.

If in doubt, contact a registered plumber, your Local Water Authority or the Secretary of the Institute of Plumbing, address as follows:-

The Institute of Plumbing,
64 Station Lane,
Hornchurch,
Essex,
RM12 6NB, Tel: 01708 472791

Inlet Connection: 22mm Copper; 1/2" BSP Female Flexible Tails

Outlet Connection: M24 Aerator

Minimum Working Pressure: 1.0 bar

Maximum Working Pressure: 5 bar

Maximum Static Pressure: 10 bar

Maximum Inlet Temperature: 65°C

Maximum Bath Thickness: 10mm

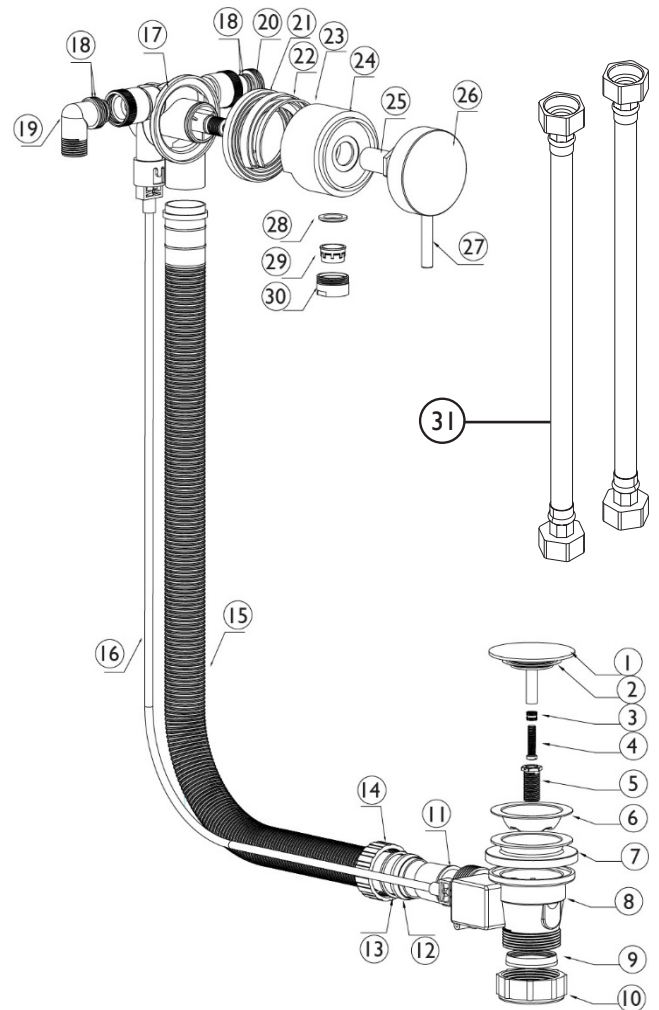
Components:

Identify all components are present prior to installation.

- | | | | |
|-----|---------------------|-----|------------------|
| 1. | Plug | 16. | Pop-Up Cable |
| 2. | Plug Washer | 17. | Mixer Body |
| 3. | Adjusting Nut | 18. | O-Ring |
| 4. | Adjusting Screw | 19. | 2x Elbows |
| 5. | Flange Screw | 20. | 2x Blanking Caps |
| 6. | Flange | 21. | Rubber Washer |
| 7. | Moulded Washer | 22. | Washer |
| 8. | Waste Body | 23. | Washer |
| 9. | Conical Washer | 24. | Shroud |
| 10. | Plastic Nut | 25. | Lock Nut |
| 11. | Plastic Bush | 26. | Pop-Up Handle |
| 12. | Conical Washer | 27. | Handle Lever |
| 13. | Plastic Washer | 28. | Rubber Washer |
| 14. | Plastic Nut | 29. | Aerator |
| 15. | Flexible Waste Tube | 30. | Outlet Housing |
| | | 31. | Flexible Tails |

Installation

1. Push the moulded washer (7) through the waste hole in the bath, with the smaller side pushed through the top. Make sure all edges are flush to the bath surface.
2. Offer the waste body (8) below the bath, with the flange (6) at the top. Secure using the flange screw (5).
3. Fit the mixer body (17) to the overflow location, ensuring rubber washer (21) is in place behind the bath. Place the two washers (22, 23) on the other side of the bath and screw on the shroud (24). Secure in place with the locking nut (25).
4. Fit the handle (26 & 27) to the control spindle by pushing on firmly.
5. This product needs to be fitted to a fitting(s) that can control the water supplies. This can be to separate hot and cold water supplies, or a single mixed outlet water supply. To fit separate hot and cold water supplies, the blanking caps (20) will need to be removed.
6. Connect your water supply(ies) to the inlets (19) using the flexible tails supplied (31) and any other necessary fittings.
7. Connect flexible waste tube (15) to the waste body (8) using the plastic nut (14).
8. Squeeze the other end of the flexible waste tube (15), push into the mixer body (17) ensuring it goes past both O-Rings.
9. Connect your waste pipework to the waste body (8), securing with the conical washer (9) and plastic nut (10). Turn on the water supply and check all joints and connections for leaks.
10. Test operation by turning the handle (26) to see if the plug (1) pops up sufficiently. If necessary, the plug can be adjusted by loosening the nut (3) and unscrewing the adjusting screw (4) so that it's touching the operating lever inside the waste body (8).



General Cleaning

Bristan products are made from premium materials, with hand polished, PVD, EPD or electroplated finishes.

Your tap should be regularly cleaned with warm water, a mild pH-neutral liquid soap, and polished with a soft cloth. Any residues from soap, toothpaste, shampoos and shower gels can cause blemishes if not rinsed off straight after use.

Household bleaches and cleaners contain harsh chemicals and may damage the surface finish. Avoid using abrasive cloths, scouring pads, scrub sponges, steel wool or anything similar.

Issue: D5

Part Number: W BATH09

BRISTAN

Bristan Group Ltd.

UK: Bristan Group, B78 1SG.

EU: Masco Europe S.à.r.l.
14 Rue Strachen
6933 Mensdorf
Luxembourg

Customer Service: +44330 026 6273

Web: www.bristan.com

Email: enquire@bristan.com

A Masco Company

At Bristan, we want to make things as easy as possible for our customers. That's why we offer solid guarantees on all our products, effective from the date of purchase, to give you peace of mind.

To start your free guarantee simply scan the QR code and register your product.
Alternatively visit www.bristan.com/register.

For any other queries, please call our Customer Service on **0330 026 6273** where our expert team of advisors will be able to offer you any help and advice.

For full guarantee terms and conditions visit www.bristan.com/service-centre/guarantees.

