

PIV BAS C

PIVOT Tap Range Pivot Basin Mixer Chrome



Features:

- Long life ceramic cartridge for added durability and ease of use
- Metal fixing nut for added durability
- Flexible tails included
- Includes clicker waste

Product Certifications:



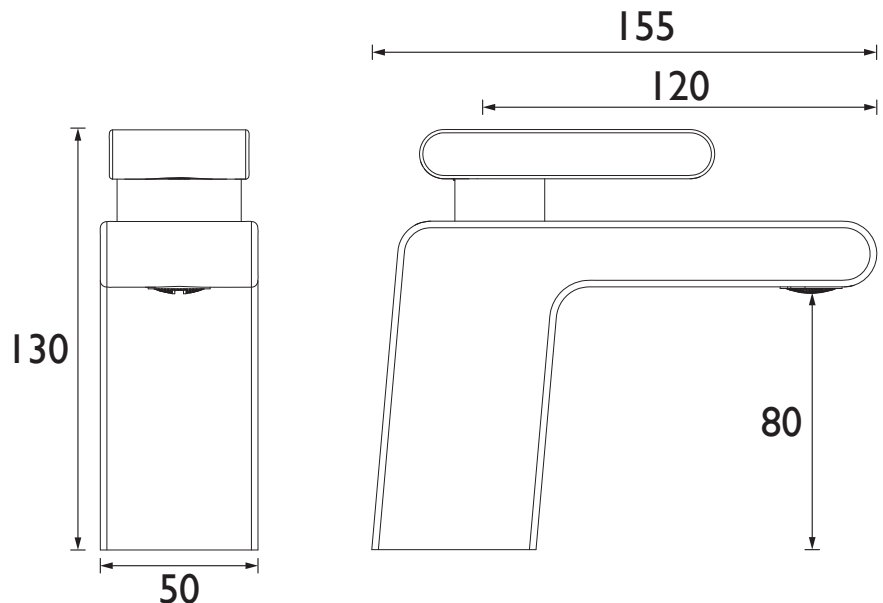
For more products, visit our website:
<http://www.bristan.com>



Specification

Product Type:	Taps
Main Construction Material:	Brass
Mount Type:	Deck
Handle Type:	Lever
Connection Inlet:	M10 x 350mm 1/2 BSP Flexi Tails
Connection Outlet:	M24 Aerator
Number of Tap Holes:	1
Valve/Cartridge Type:	35mm Single Lever Cartridge
Plumbing System Requirements:	Suitable for all plumbing systems
Minimum Dynamic Pressure (bar):	0.2 bar
Maximum Dynamic Pressure (bar):	5.0 bar
Maximum Hot Water Temperature °C:	60°C
Maximum Static Pressure (bar):	10 bar
Flow Type:	Single
Isolation Included:	No

Dimensions (measurements in mm)



Flow Rates (l/min)

System Pressure (bar)	0.2	0.5	1	2	3	5
PIV BAS C (mixed)	5.3	8.5	12	16.9	20.7	26.7

TECHNICAL DATA SHEET



BRISTAN

D5