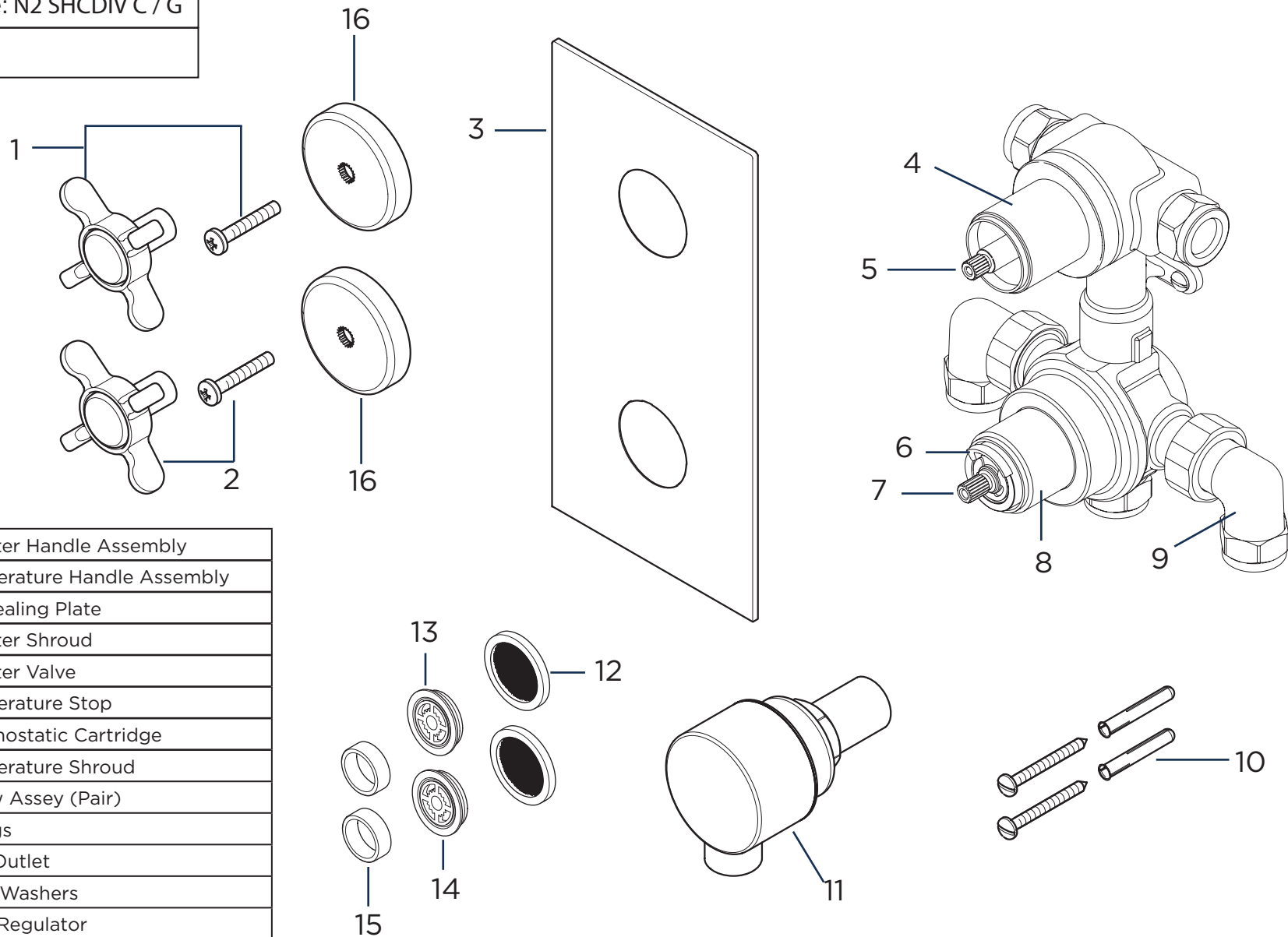


Product Code: N2 SHCDIV C / G

Revision: D5



1	Diverter Handle Assembly
2	Temperature Handle Assembly
3	Concealing Plate
4	Diverter Shroud
5	Diverter Valve
6	Temperature Stop
7	Thermostatic Cartridge
8	Temperature Shroud
9	Elbow Assey (Pair)
10	Fixings
11	Wall Outlet
12	Filter Washers
13	Flow Regulator
14	Flow Regulator
15	Inserts
16	Handle Adpator (Each)