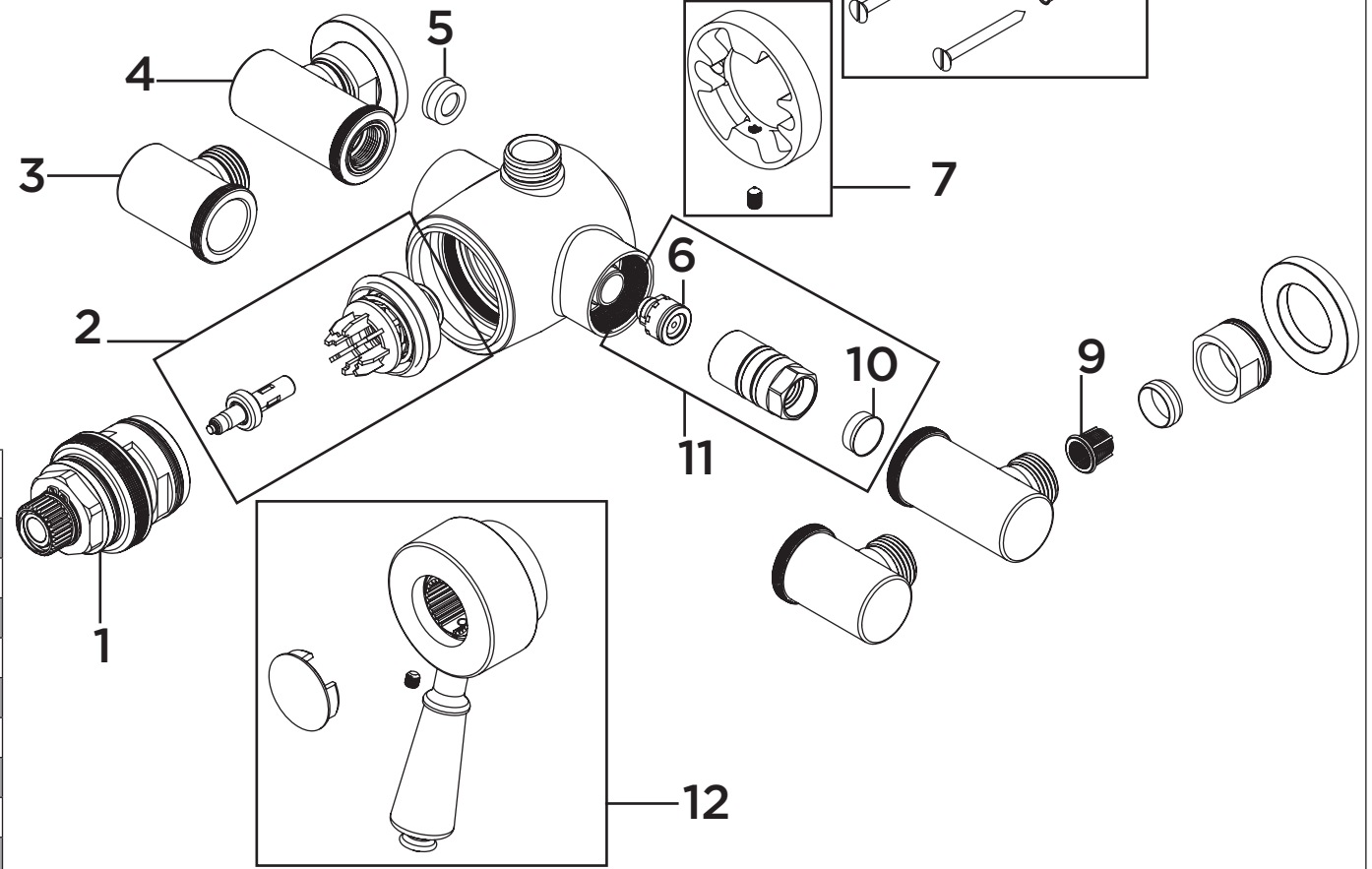


Product Code: KN2 SHXRR C

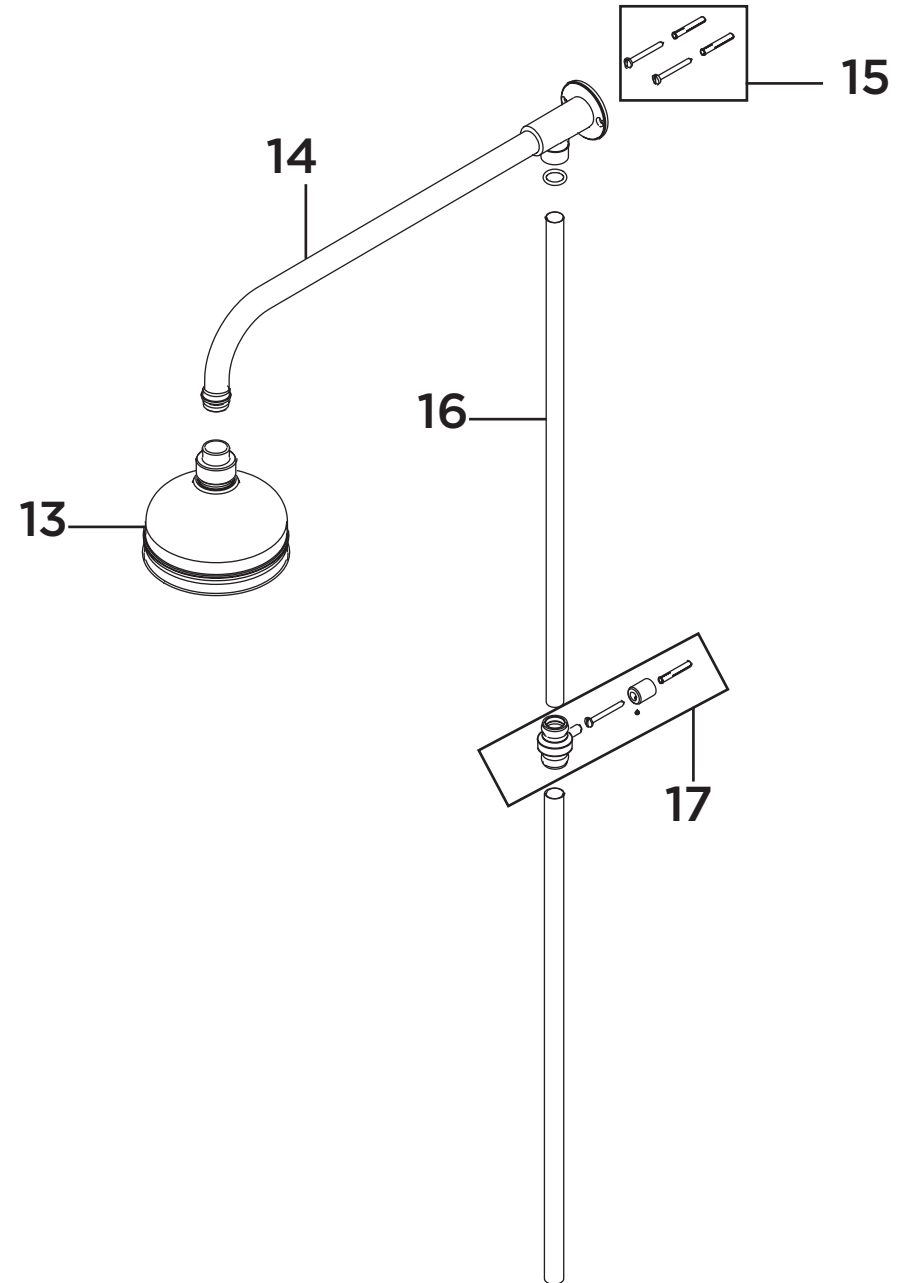
Revision D4



1	Sequential Thermostatic Cartridge Headwork
2	Thermostat & Piston Assembly
3	Short Elbow Assembly (Pair)
4	Long Elbow Assembly (Pair)
5	5lpm Flow Limiter
6	Check Valve
7	Backplate Assembly
8	Fixings Pack
9	Filter
10	7lpm Flow Limiter
11	Elbow Support Assembly
12	Handle Assembly
13	4" Fixed Head
14	Wall Arm
15	Screw Pack
16	15mm Riser Rail
17	Centre Support Kit

Product Code: KN2 SHXRR C

Revision: D3



1	Sequential Thermostatic Cartridge Headwork
2	Thermostat & Piston Assembly
3	Short Elbow Assembly (Pair)
4	Long Elbow Assembly (Pair)
5	5lpm Flow Limiter
6	Check Valve
7	Backplate Assembly
8	Fixings Pack
9	Filter
10	7lpm Flow Limiter
11	Elbow Support Assembly
12	Handle Assembly
13	4" Fixed Head
14	Wall Arm
15	Screw Pack
16	15mm Riser Rail
17	Centre Support Kit