

# N VAN G CD

## 1901 Tap Range 1901 Vanity Basin Taps with Ceramic Disc Valves Gold



### Features:

- Long life and easy to use 1/4 turn ceramic disc valves
- Metal handles

### Product Certifications:



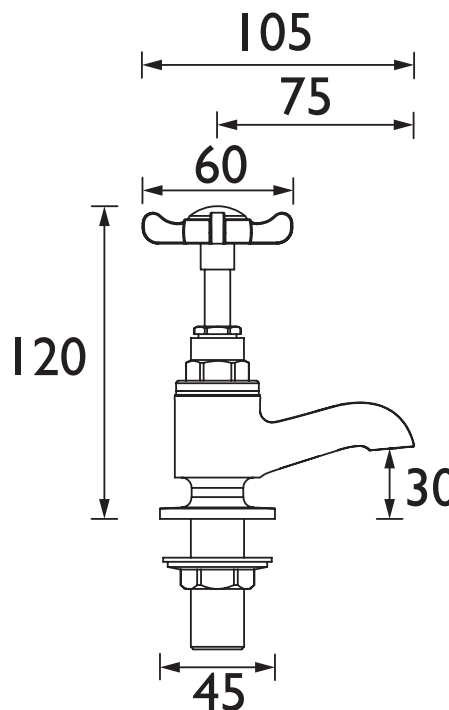
For more products, visit our website:  
<http://www.bristan.com>



### Specification

<b>Product Type:</b>	Bathroom Taps
<b>Main Construction Material:</b>	Brass
<b>Mount Type:</b>	Deck
<b>Handle Type:</b>	Crosshead
<b>Connection Inlet:</b>	1/2" BSP
<b>Connection Outlet:</b>	Open
<b>Number of Tap Holes:</b>	2
<b>Valve/Cartridge Type:</b>	1/2" Ceramic Disc Valves - 1/4 turn
<b>Plumbing System Requirements:</b>	Suitable for all plumbing systems
<b>Minimum Dynamic Pressure (bar):</b>	0.2 bar
<b>Maximum Dynamic Pressure (bar):</b>	5.0 bar
<b>Maximum Hot Water Temperature °C:</b>	65°C
<b>Maximum Static Pressure (bar):</b>	10 bar
<b>Isolation Included:</b>	No

### Dimensions (measurements in mm)



### Flow Rates (l/min)

System Pressure (bar)	0.2	0.5	1	2	3	5
N VAN G CD (Cold)	8.3	13.9	20.5	29.2	35.1	44.9
N VAN G CD (Hot)	8.3	13.9	20.5	29.2	35.1	44.9

## TECHNICAL DATA SHEET



# BRISTAN

D5