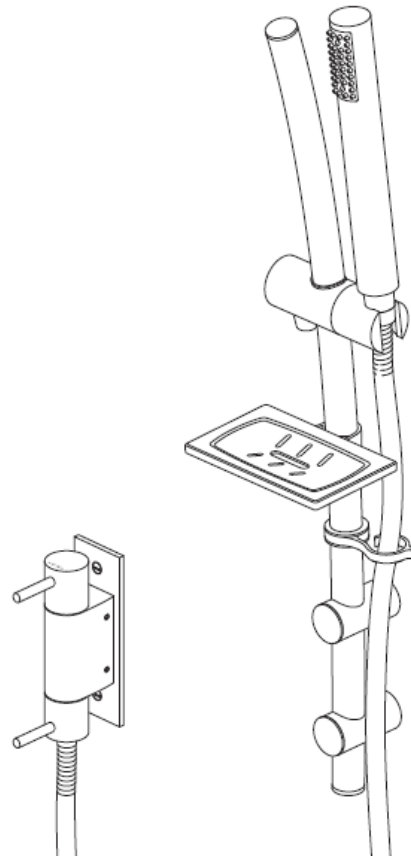


BRISTAN

Installation Instructions and User Guide

Prism Inline Thermostatic Vertical
Shower Pole With Adjustable Riser



Model covered: PM VSHXAR C

Please keep this booklet for future
Reference.



Installer, when you have read these
instructions please ensure you leave them
with the user.

Contents

Thank you for choosing Bristan, the UK's leading taps and showers expert. We have designed this product with your enjoyment in mind. To ensure that it works to its full potential, it needs to be fitted correctly. These fitting instructions have been created to give you all of the information you need and, if you need any further help, please do not hesitate to give us a call on 0844 701 6273.

Important Safety Information	3
General Information	4
Product Features	5
Dimensions	6
Specifications	7
Pack Contents	8
Installation Requirements	9-11
Prior to Installation	12
Installation	12-16
Operation & Temperature Setting	17
Maintenance	18
Map of Hard Water Regions in the UK	19
Troubleshooting	20-21
Guarantee	22-23

Important Safety Information

- Please read these instructions thoroughly and retain for future use.
- All products manufactured and supplied by Bristan are safe provided they are installed, used correctly and receive regular maintenance in accordance with these instructions.
- This fitting needs to be installed in accordance with, and meet the requirements of the Water Supply (Water Fittings) Regulations 1999 and Scottish Byelaws 2004.
- **If you are in any doubt about your ability to install this product safely you must employ the services of an experienced qualified plumber.**
- Do not use if the showerhead or shower hose has been damaged or is blocked.
- Do not crush or kink the shower hose, this could damage the hose and cause leaks.
- Remove all packaging and check the components for damage before starting installation.
-  **Warning:** Before starting any installation please consider the following: Prior to drilling into walls, check that there are no hidden electrical wires, cables or water supply pipes. This can be checked with the aid of an electronic detector.
- If power tools are used do not forget to:
 - Wear eye protection
 - Unplug equipment after use
- The fitting of isolating valves is required as close as is practical to the supply inlet feeds of the thermostatic mixing valve.
- The fitting of strainers is recommended as close as is practical to the water supply inlets of the thermostatic mixing valve.
-  **Warning:** Before installing the new shower valve it is essential that you thoroughly flush through the pipework in order to remove any remaining swarf, solder, etc. Failure to carry out this procedure could cause problems or damage to the workings of the shower valve.
- This product **must not** be modified in any way as this will invalidate the guarantee.

General Information

This product has been designed to comply with the BS EN 1287:1999 (LP) and BS EN 1111:1999 (HP) thermostatic mixing valve standards and satisfies the requirements of the Water Supply (Water Fittings) Regulations 1999 and the Scottish Byelaws 2004.

BS6700 recommends the temperature of stored water should never exceed 65°C. A stored water temperature of 60°C is considered sufficient to meet all normal requirements and will minimise the build up of lime scale in hard water areas (see Map of Hard Water Regions in the UK on page 19).

If the fitting is installed at low pressure (tank fed), then the minimum distance from the highest installed position of the showerhead to the underside of the cold tank should be at least 1 metre to ensure adequate performance.

Note: Nominally equal (balanced) inlet supply pressures are recommended for optimum performance with mixer showers.

This shower valve should be installed in compliance with Water Regulations.

If in doubt, contact a registered plumber or your Local Water Authority or the Secretary of The Institute of Plumbing, address as follows;-

The Institute of Plumbing,
64 Station Lane,
Hornchurch,
Essex, RM12 6NB
Tel: 01708 472791

Recommended Usage			
Domestic	✓	Heavy Commercial	✗
Light Commercial	✗	Health Care	✗

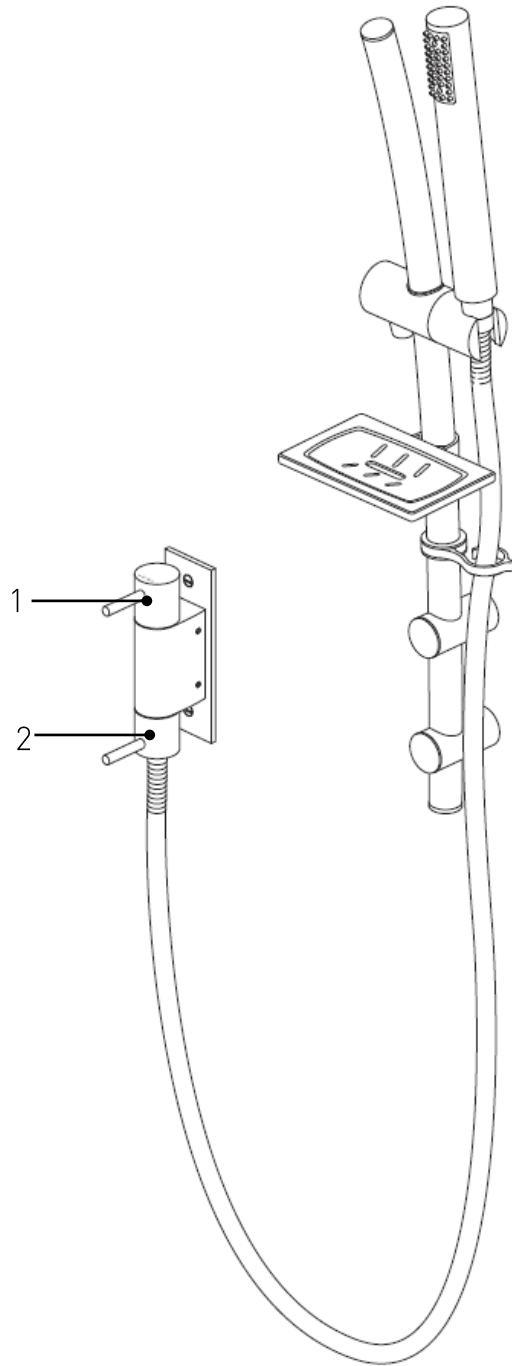
Product Features

1. Water Flow Control

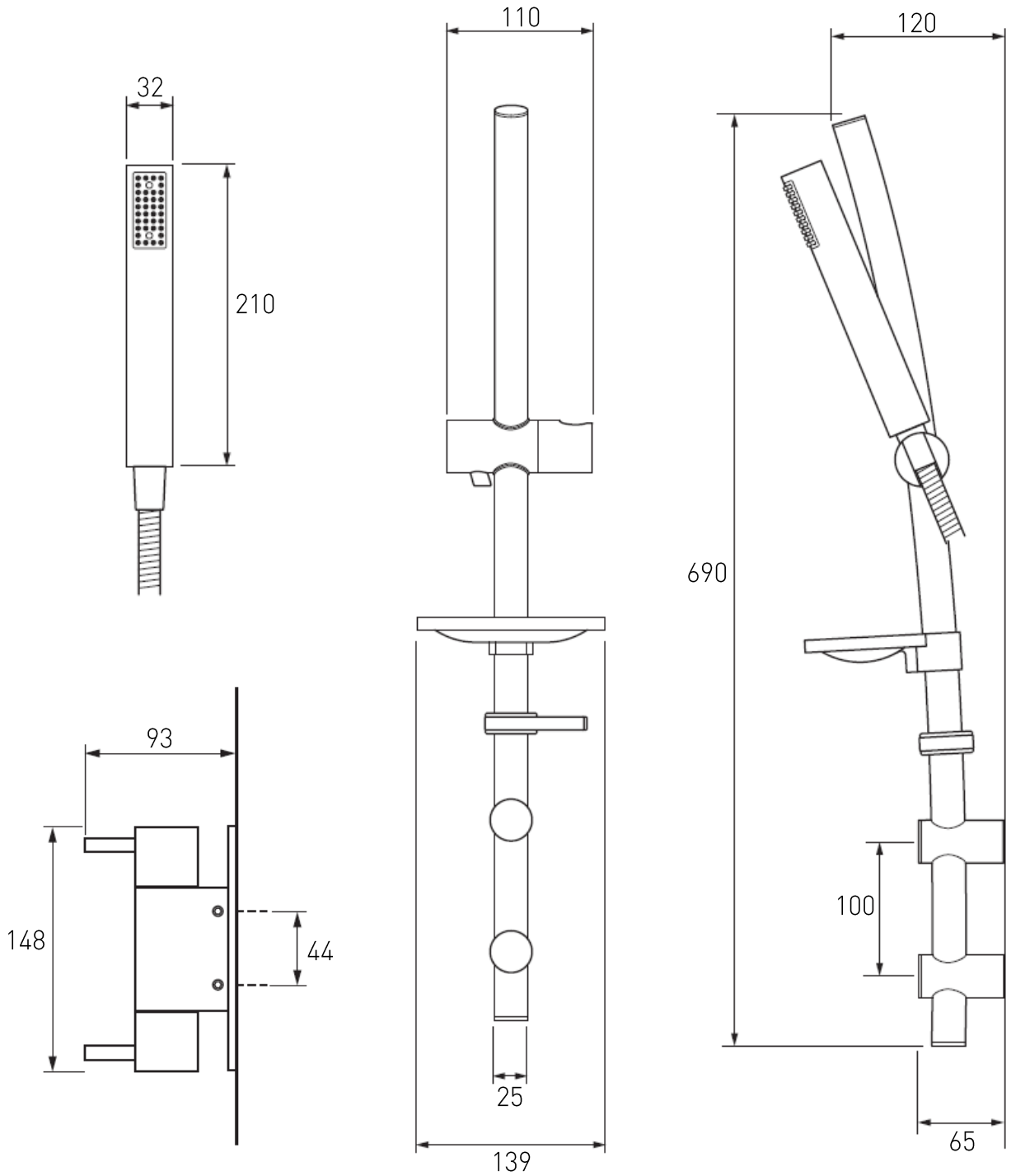
Turn the flow control lever to the right to turn the shower on. The further the lever is turned the greater the flow.

2. Temperature Control

Turn the temperature control lever to the right to increase the water temperature. To decrease the water temperature turn the temperature control lever to the left.



Dimensions (mm's)



Specifications

Inlet Connections: 15mm compression / push-fit.

Outlet Connections: G ½" BSP male push-fit.

Operating Pressure Range: Min: 0.1bar – Max: 5.0 bar – Maximum recommended imbalance between hot and cold supply should not exceed a ratio of 5:1.

Maximum Static Pressure: 10.0 bar

Maximum Outlet Temperature: Factory pre-set to 38°C (can be re-set to suit site conditions)

Supply Requirements:

Minimum cold water supply temperature: 5°C.

Maximum cold water supply temperature: 25°C.

Maximum hot water supply temperature: 80°C.

(a maximum hot water supply temperature of 60 – 80°C is recommended for ablutionary purposes).

Note: The inlet hot water temperature must be at least 10°C above the required blend temperature (e.g. shower temperature 43°C: minimum hot supply 53°C).

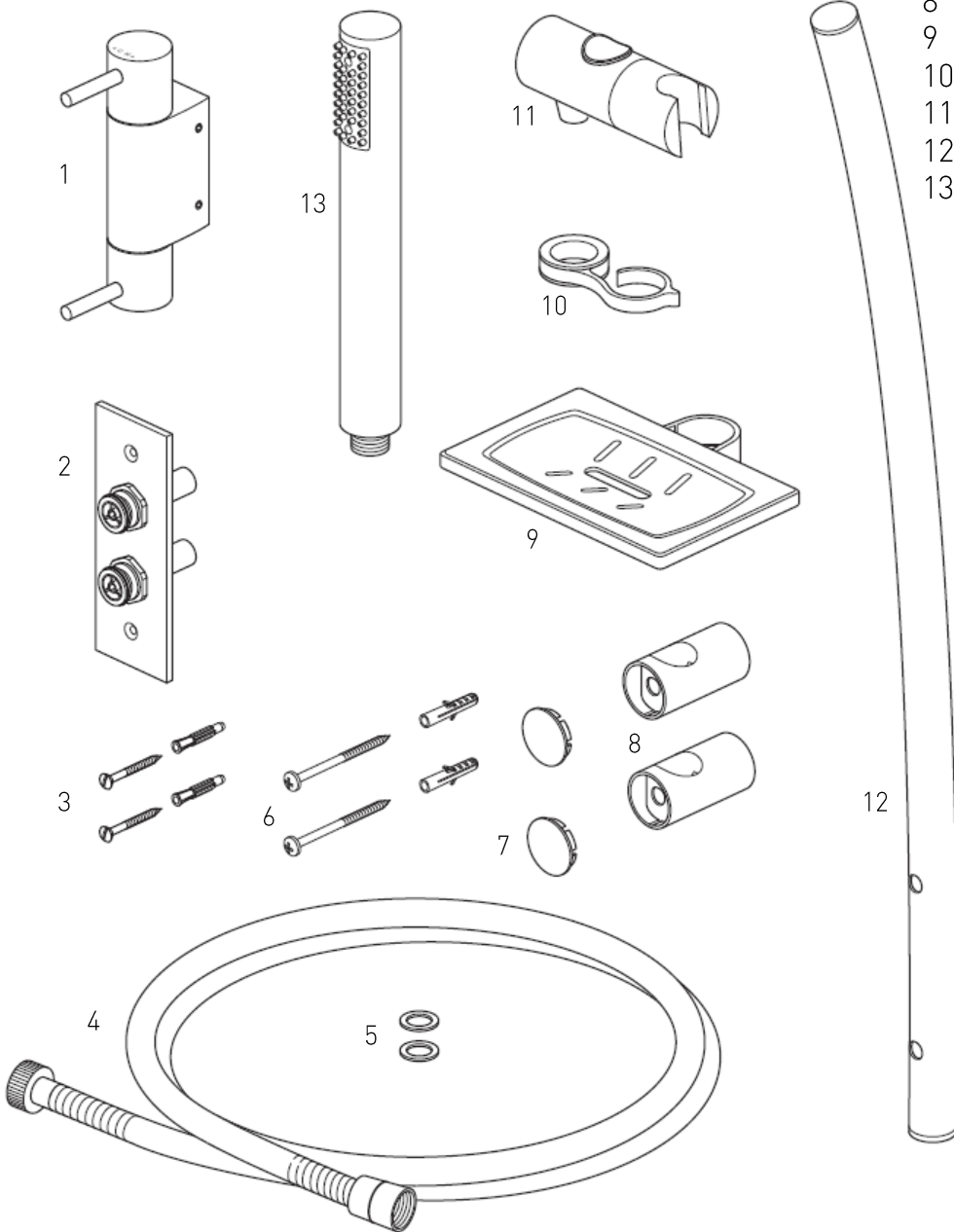
Performance

Flow Rates are in litres per minute at equal pressures

Pressure (bar)	0.2	0.5	1.0	2.0	3.0	5.0
Flow Rate from Shower Handset	4.3	7.8	12.2	18.5	22.7	29.3

Pack Contents

- 1 Valve Body
- 2 Backplate incl. connections
- 3 Backplate Fixings
- 4 Shower Hose
- 5 Sealing Washers
- 6 Wall Bracket Fixings
- 7 Wall Bracket End Caps
- 8 Wall Brackets
- 9 Soap Dish
- 10 Hose Retainer
- 11 Handset Holder
- 12 Raiser Rail
- 13 Handset



Installation Requirements

This shower valve must be installed in compliance with current water regulations. If you have any doubts about the water regulation requirements contact your local water services provider or use the services of a professional plumber.

This shower valve is suitable for use with the following water supply systems.

- Gravity Fed Hot and Cold (pressure Balanced)
- Gravity Fed Hot and Mains Cold (differential pressure – see Specification section on page 7).
- Instantaneous Water Heater (combination boiler)
- Unvented System
- Pumped System

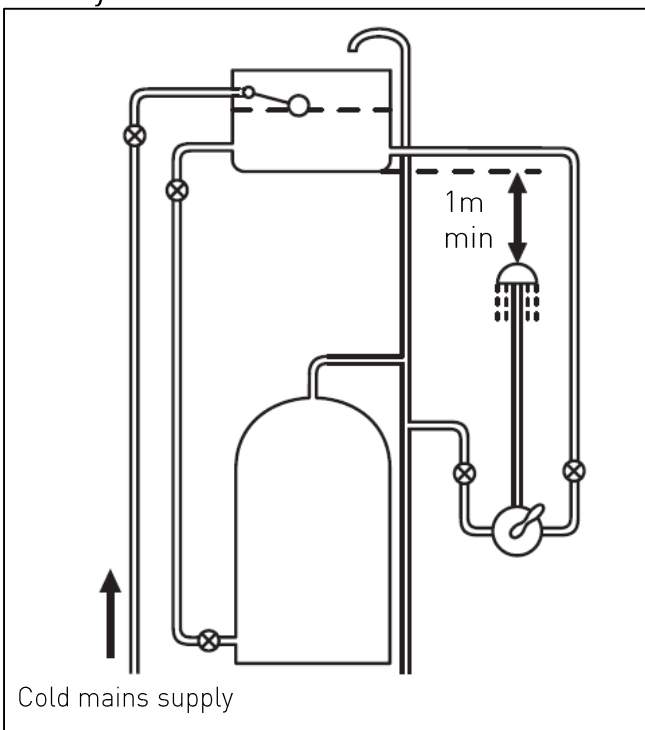
⚠ Important: If you install this shower valve with a gravity fed system, there must be a minimum head (vertical distance) from the underside of the cold water storage tank to the showerhead position of at least 1 metres.

Note: Pumped system (with Essex flange) If you install this shower valve to a pumped gravity fed system where the minimum head (vertical distance) from the underside of the cold water storage tank to the top of the hot water cylinder is less than 1 metre we recommend an Essex flange is used as shown on page 10.

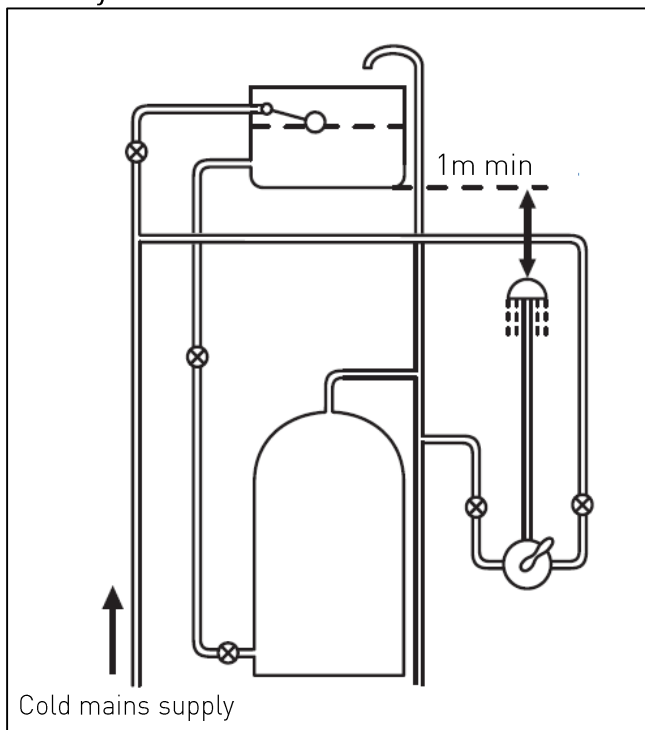
Flushing Pipework

⚠ Important: Before connecting the shower valve (see Installation on pages 12-16), supply pipework **must** be flushed to clear debris before connecting the shower valve. Debris will reduce the performance and life of the shower.

Gravity Fed Hot and Cold

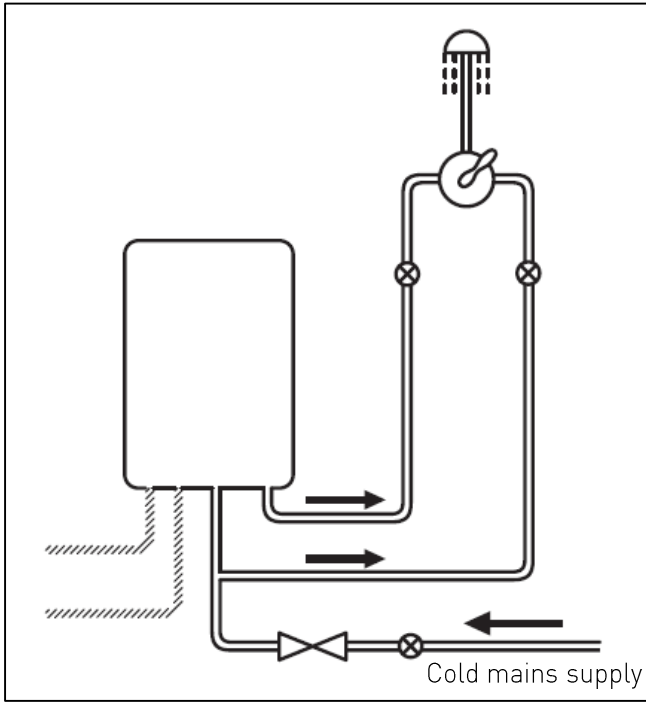


Gravity Fed Hot and Mains Cold

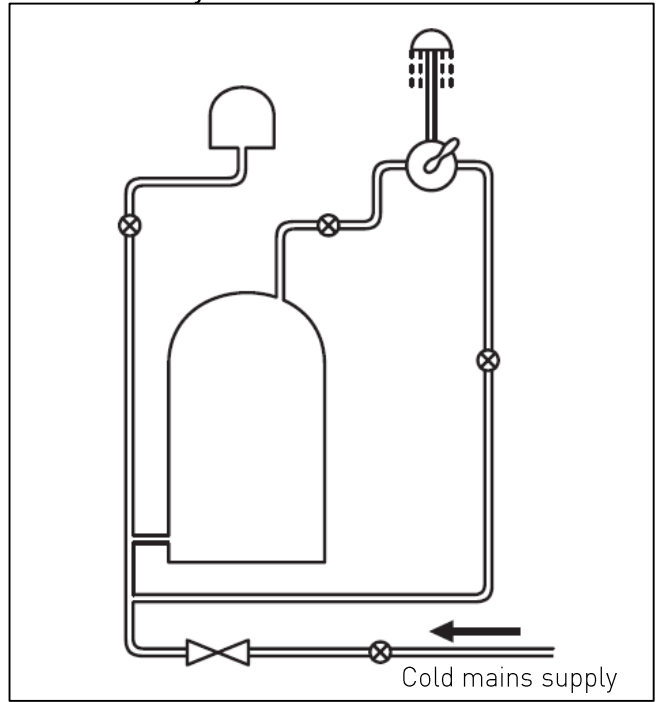


Installation Requirements

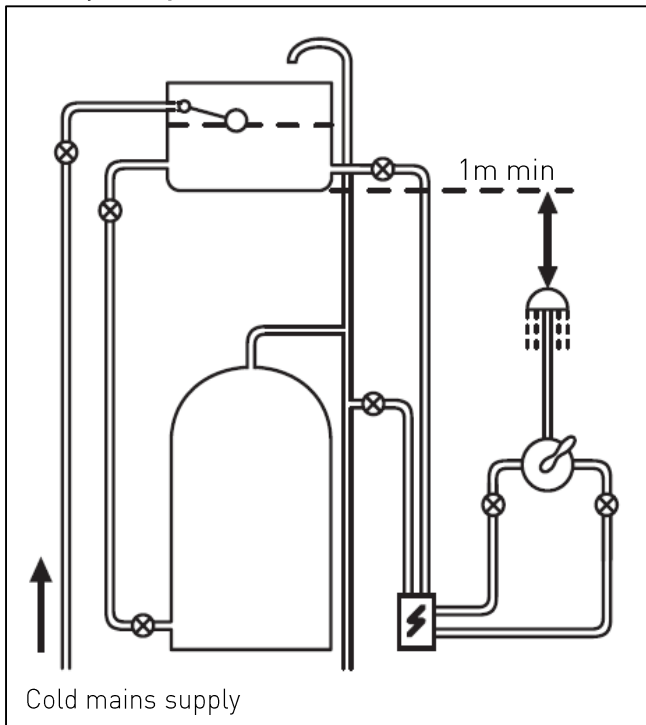
Instantaneous Water Heater



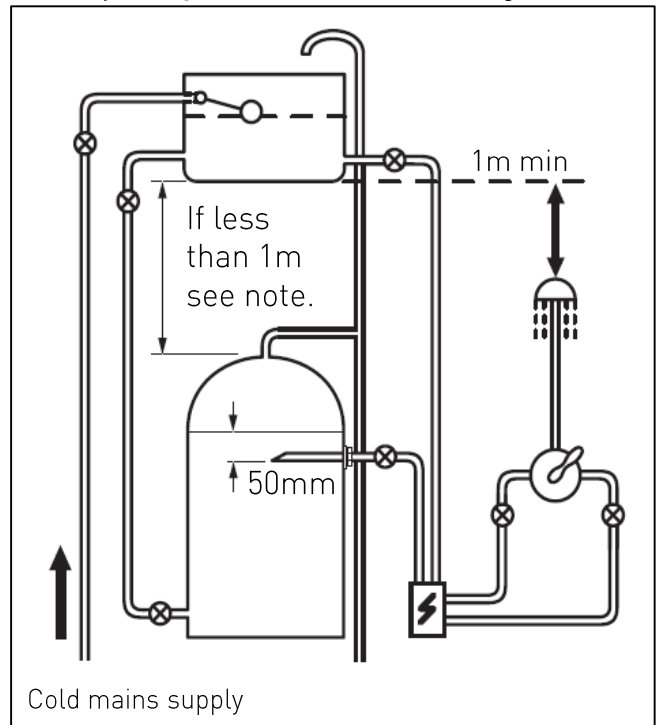
Unvented System



Pumped System



Pumped System (with Essex flange)



- Key:
-  Isolating Valve
 -  Reducing Valve
 -  Shower Valve
 -  Pump
 -  Essex Flange

Installation Requirements

These fittings need to be installed in accordance with the following Installation Requirements and Notes (IRN) to ensure they meet the requirements of the Water Supply (Water Fittings) Regulations 1999 and the Scottish Byelaws 2004.

IRN R001: See text of entry for Installation Requirements or Notes.

IRN R040 - Schedule 2-15 (1): The fitting shall be installed so that its outlet discharges above the spill-over level of any fixed appliance as indicated below:-

For backflow protection in domestic or installations up to, and including, Fluid Category 3.

If the fitting cannot be installed as indicated in the table opposite it shall be installed as either **a** or **b** below:

a: with an approved double check valve assembly or some other no less effective backflow prevention device immediately upstream of the inlet.

b: so that it draws water by gravity only from a cistern, or cylinder having a permanently open vent pipe, and the distributing pipe supplies no other fitting (other than draining tap) at a lower level.

For backflow protection in premises or installations up to, and including Fluid Category 5.

The vertical distance of the outlet above the spill-over level shall be not less than 20mm or twice the diameter of the inlet pipe to the fitting, whichever is the greater. If the fitting cannot be installed as indicated it shall be installed with a backflow prevention arrangement suitable for the Fluid Category.

Size of tap or combination fitting.	Vertical distance of outlet above spill-over level.
1. Not exceeding 1/2 in	20mm
2. Exceeding 1/2 in but not exceeding 3/4 in	25mm
3. Exceeding 3/4 in	70mm

Prior to Installation & Installation

Before Installation

This product can be installed with either a compression fitting or a push-fit fitting (not supplied).

If using a compression fitting to connect the backplate to the pipework the pipework must be loose to allow the installer to tighten the compression fitting.


If using a push-fit fitting the pipework can either be loose or fixed.

Important: An additional independent stop valve complying with the current water regulations must be fitted in the mains water supply as a means of isolating the supply to the unit for servicing and / or maintenance work.

Installing the backplate

1. Terminate pipework ensuring the cold water supply is on the top and the hot supply on the bottom and cut a 40mm x 80mm hole in the wall bearing in mind the height of the riser.

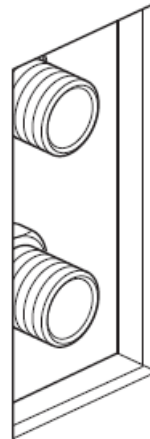
2. Position the backplate onto the hole cut into the wall surface and mark the top and bottom fixing positions as indicated.

 **Warning:** Prior to drilling into walls, check that there are no hidden electrical wires, cables or water supply pipes. This can be checked with the aid of an electronic detector.

If power tools are used do not forget to:

- Wear eye protection
- Unplug equipment after use

Compression Fitting

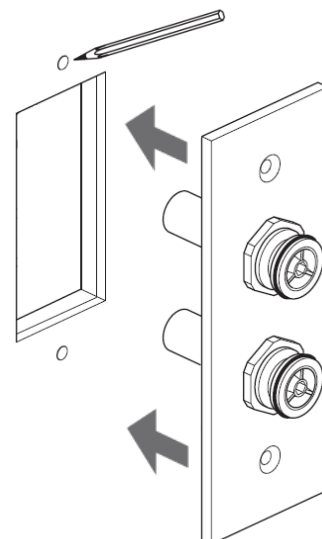
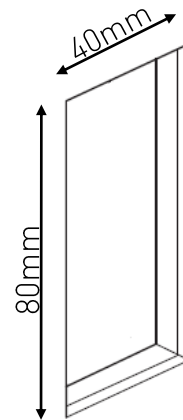


Push-fit Fitting



Cold Supply

Hot Supply



Installation cont.

3. Drill suitable holes at the marked positions.

4. With Rear Access to the Cavity Hole

The backplate can be secured to the wall before connecting either the push-fit or compression fitting connections to the rear of the backplate.

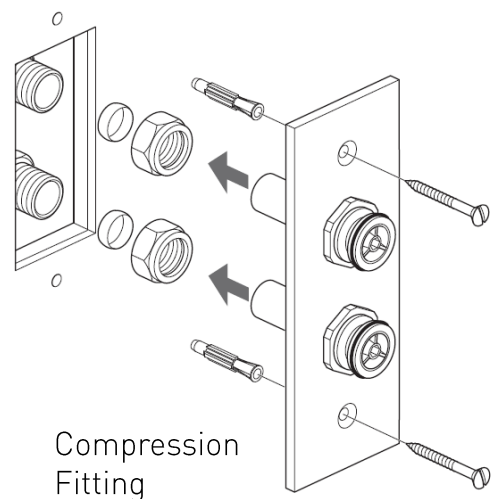
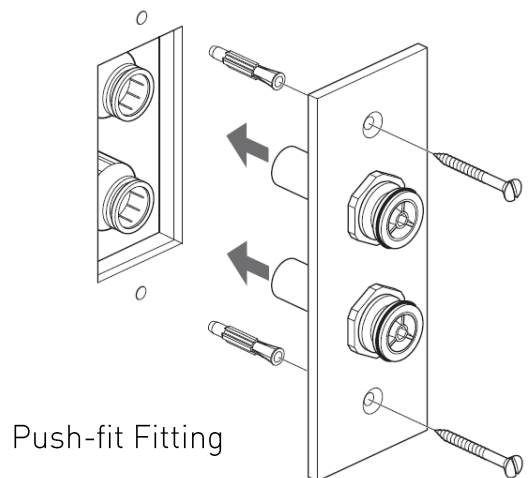
With No Rear Access to the Cavity Hole

The pipework **must** be able to pull through the hole in the wall cavity sufficiently enough to enable either the push-fit or compression fittings to be secured to the brass connections on the rear of the backplate.

Important: The brass connections on the rear of the backplate must be pushed fully into the push-fit connections and if compression fittings are used these must be securely tightened.

The assembled backplate needs to be able to push back into the cavity before fixing the backplate to the wall.

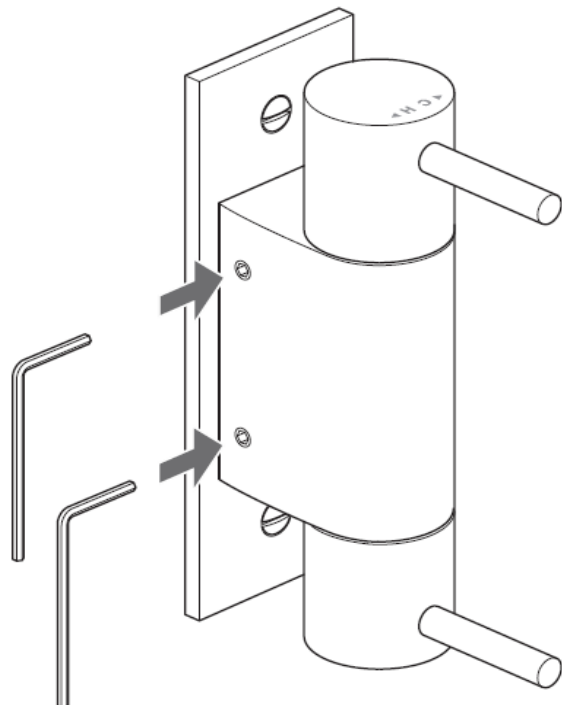
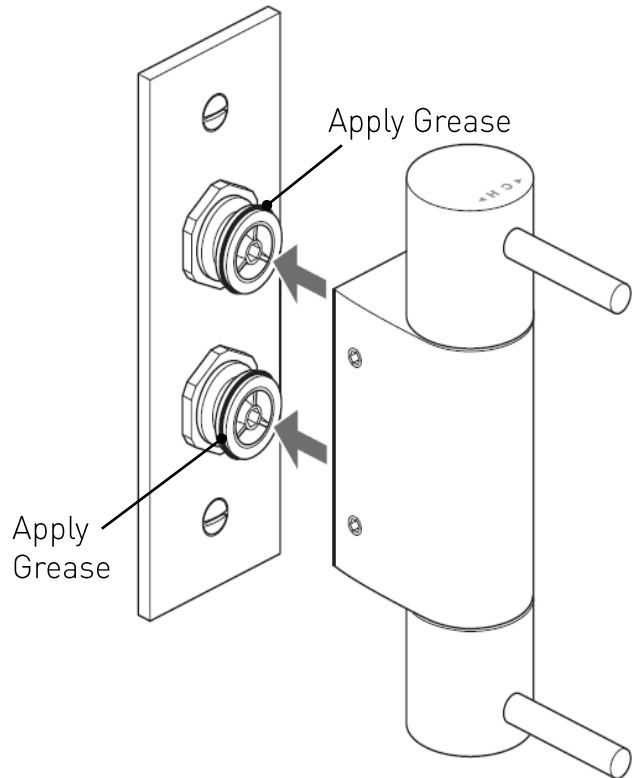
5. Secure the backplate to the wall using the fixings supplied.



Installation cont.

Installing the Shower Valve

1. Apply silicon grease to both 'O' rings.
2. Push the shower body onto the backplate connectors ensuring it is firmly in position.
3. Tighten the locating grub screws in the side of the shower body to secure the shower in position.
4. Attach the shower hose to the outlet on the bottom of the flow control handle ensuring the washer is fitted between.



Installation cont.

Installing the Riser

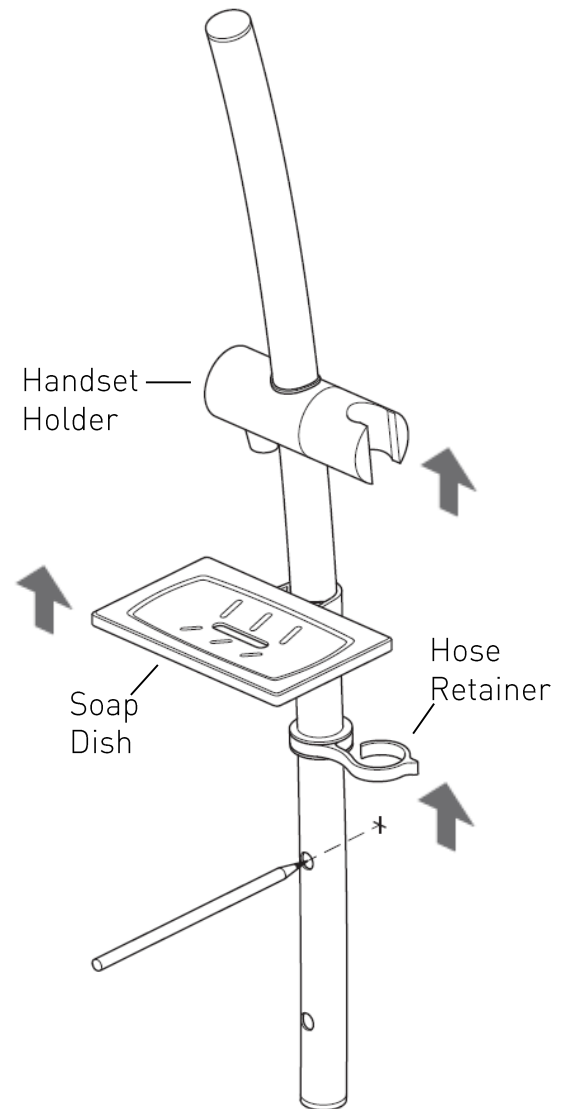
1. Slide the handset holder, soap dish and hose retainer onto the riser rail. The handset holder slides up and down the rail by pressing the button in, release the button to lock the handset holder in position.

2. Position the riser rail in the required position and mark the fixing holes onto the wall surface. Ensure the marked positions are vertically level and drill suitable holes for the fixings.

⚠ Warning: Prior to drilling into walls, check that there are no hidden electrical wires, cables or water supply pipes. This can be checked with the aid of an electronic detector.

If power tools are used do not forget to:

- Wear eye protection
- Unplug equipment after use



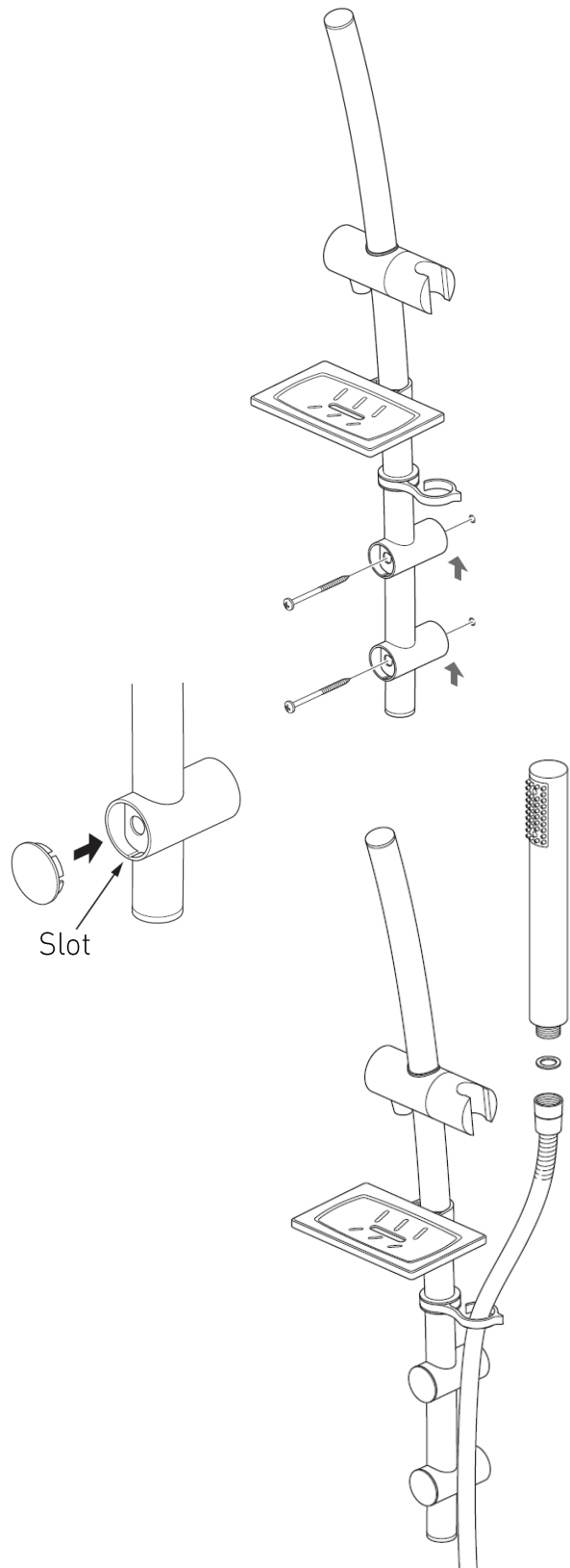
Installation cont.

Installing the Riser

3. Slide the wall brackets onto the riser rail and line up the holes.
4. Secure the riser rail to the wall using the fixings supplied
5. Fit the wall bracket end caps to the wall brackets.

Note: There is a key at the bottom of the wall bracket cover that needs to line up with the slot in the bottom of the wall brackets.

6. Attach the shower hose to the handset ensuring the washer is fitted between and place the handset into the slider bracket.



Operation & Temperature Setting

On/Off and Temperature Control

Turn the flow lever to the right to turn on the flow of water. The further the flow lever is turned the greater the flow of water.

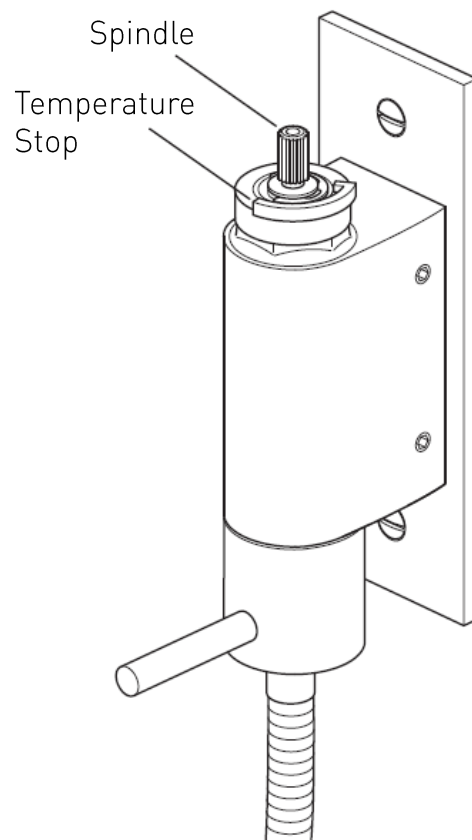
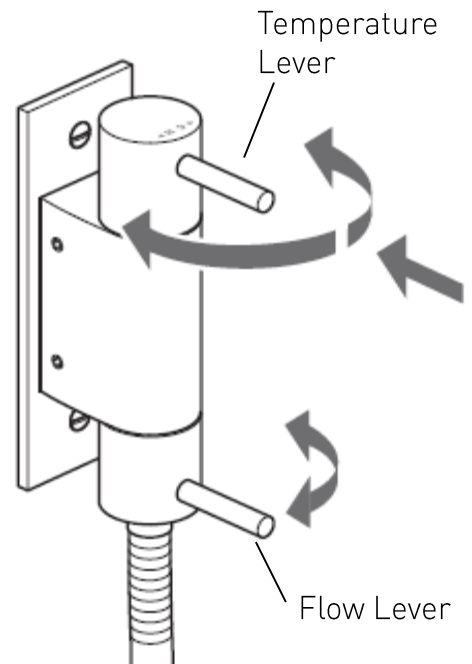
To increase the temperature turn the temperature lever fully to the right, by pushing the temperature in and continuing to turn the lever will override the maximum temperature setting.

To decrease the temperature turn the temperature lever back towards the off position.

Maximum Temperature Setting

The maximum blend temperature should be limited to ensure that no undesirable temperature is obtained. If adjustment is necessary the following should be carried out:

- Turn the flow lever fully to the right so that the shower is running at full flow.
- Turn the temperature lever fully to the right so that the water is at the maximum temperature (allow the flow/temperature to stabilise for a few minutes).
- Remove the handle by prising out the cap and removing the screw in the back of the handle.
- Turn the spindle anti-clockwise to increase the temperature and clockwise to decrease the temperature.
- Once the desired temperature has been achieved replace the handle, tighten the screw and push the cap back on.



Maintenance

General Cleaning

Your fitting has a high quality finish and should be treated with care to preserve the visible surfaces. All finishes will wear if not cleaned correctly. The only safe way to clean your product is to wipe with a soft damp cloth. Stains can be removed using washing up liquid. All bathroom cleaning products (powders and liquids) will damage the surface of your fitting, even the non-scratch cleaners.

Note: Never use abrasive detergents or disinfectants or those containing alcohol, hydrochloric acid or phosphoric acid.



Bristan recommend E-cloth for cleaning all of our bathroom & kitchen products. Using just water, E-cloth gives a smear free, deep clean by breaking up and hold dirt, which normal cloths leave behind. Order through your Bristan stockist (order code: E-CLOTH).

Servicing

If your thermostatic mixer valve fails to operate correctly it could be the result of an incorrect installation. Please refer to the installation section & site requirements.

If the valve has operated correctly for some time, but no longer performs acceptably, you may find it useful to firstly refer to the fault diagnosis in the Troubleshooting section.

Should the valve require servicing the following procedure should be followed.

- Isolate both hot and cold supplies to the shower valve by either:
- Turning the water supply off at the mains stop cock or
- Turning off the isolation valves to the shower valve.
- Prise out the cap from the temperature handle. Loosen the screw and pull the handle off.
- Unscrew the cartridge anti-clockwise using a suitable spanner and remove it from the valve body.
- Soak the cartridge in a 50/50 solution of hot water and white vinegar and allow to soak for a couple of hours, If heavily scaled allow to soak overnight.
- Grease all seals (light smear only). Only use a silicone based grease on all 'O' rings and seals.
- Replace the cartridge and tighten fully using a suitable spanner. Replace the handle, tighten the screw and push-fit the cap back into position.
- If the valve still fails it maybe necessary to replace the thermostatic cartridge.

Please visit:

www.bristan.com/sparesfinder in order to find spare parts for this product.

Hard Water Regions in the UK



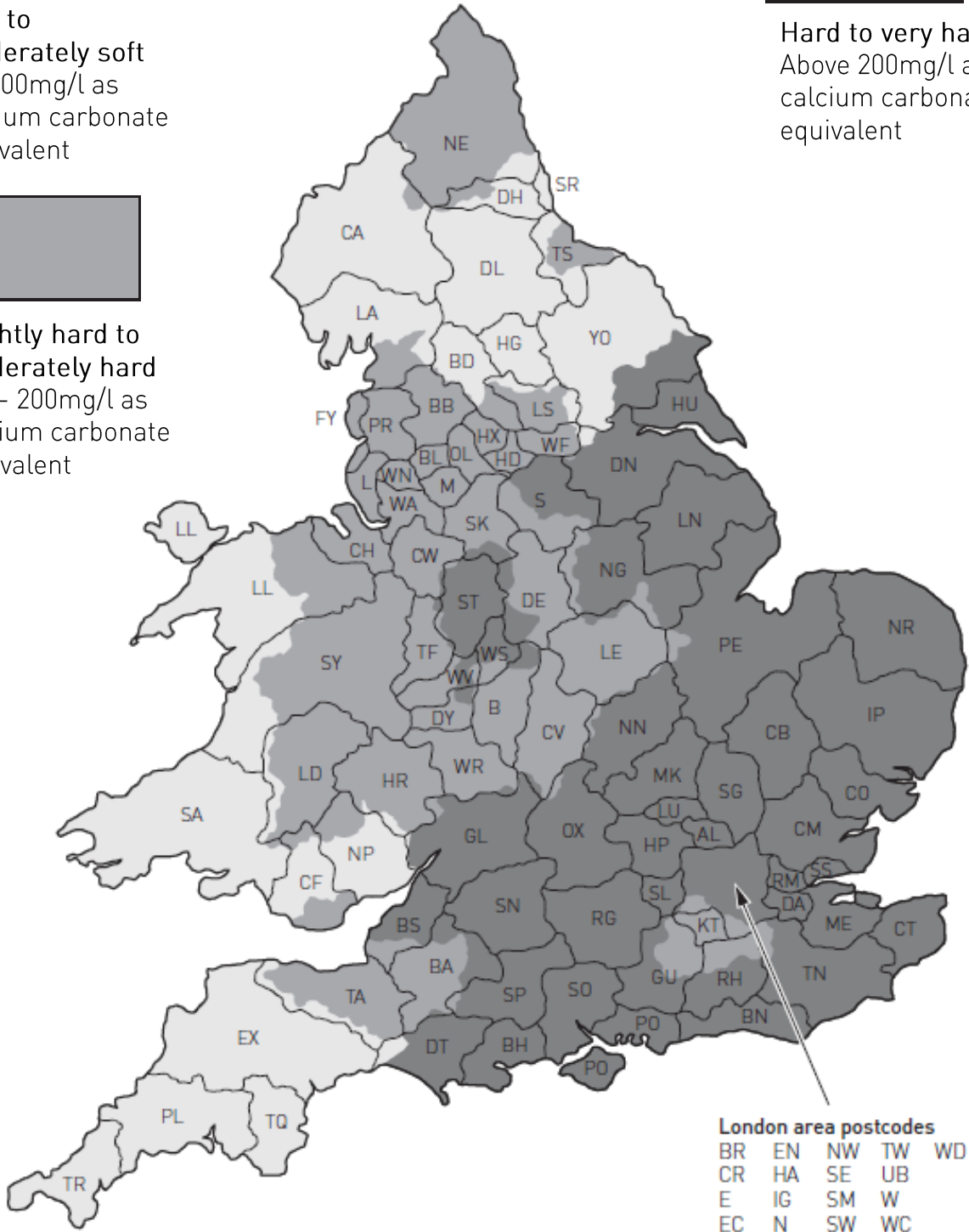
Soft to moderately soft
0 - 100mg/l as calcium carbonate equivalent



Slightly hard to moderately hard
100 - 200mg/l as calcium carbonate equivalent



Hard to very hard
Above 200mg/l as calcium carbonate equivalent



Troubleshooting

Symptom	Cause	Remedy
Maximum water temperature too hot or cold	Maximum water temperature set incorrectly.	Reset maximum water temperature. Refer to 'Maximum Temperature Setting' in Operation & Temperature setting section (page 17)
Outlet water temperature too hot / cold.	Inlet filter is partially blocked.	Check insert filters for any blockages and clean as necessary.
	Installation conditions outside operating parameters.	Refer to Installation Requirements section (page 9-11). Service shower valve as recommended. Refer to Maintenance section (page 18) Refer to Operation & Temperature Setting section (page 17).
Water temperature too cold – maximum water temperature incorrectly set.	Hot water temperature is less than 10°C above the required blend temperature.	Adjust hot water temperature or wait for water system to reheat if stored system is used.
	Instantaneous water heater not igniting because water flow rate is too low.	Increase water flow rate through the system. Check cartridge inlet filters and clean or replace. Refer to Maintenance section (pages 18). Contact the boiler manufacturer.
	Instantaneous water heater not igniting because water pressure is too low.	Increase water pressure through system. Contact the boiler manufacturer.
Only hot or cold water from shower valve outlet.	Inlet water supplies are reversed (hot to cold supply).	Check the connections are the correct way round. Cold on the top and hot on the bottom. Rework pipework as necessary.
	Inlet filter is partially blocked.	Clean or replace, flush through pipework before refitting.

Troubleshooting

Symptom	Cause	Remedy
No flow when shower is turned on.	Inlet filter is partially blocked.	Check insert filters for any blockages and clean as necessary.
	Blocked or damaged check valve.	Remove check valve and clean / replace if necessary.
	Air block in either / both supplies	Flush through supply pipework.
	Piston sticking	Remove thermostatic cartridge and piston. Service shower valve. Refer to Maintenance section (page 18).
Pulsating flow and / or varying temperature.	Air block in either / both supplies	Flush through supply pipework.
	Incorrect use of flow regulators	Check and remove / replace if necessary.
Flow rate too great	Flow regulators not fitted.	Fit flow regulators.
Shower valve will not shut off.	Thermostatic cartridge not shutting off fully.	Service shower valve. Refer to Maintenance section (page 18)

Guarantee

Bristan offers solid guarantees to provide you with complete peace of mind.

Taps and Mixers

5 year parts and 1 year labour*.
Gold, painted and special finishes
3 years parts only.

All subject to proof of purchase.

Mixer Shower Valves

5 year parts. 1 year labour* (subject to registration), or 1 year with proof of purchase.

Gold, painted and special finishes 3 years parts only.

Pumps and Power Showers

2 year parts. 1 year labour* (subject to registration).

Electric Showers/Instantaneous Water Heaters

2 year parts. 1 year labour* (subject to registration).

Accessories

5 year parts only. Includes bathrooms accessories, shower accessories (e.g. hoses, handsets and poles), wastes, WC levers and light pulls. Gold, painted and special finishes 3 years parts only.

Sanitaryware

5 year parts only. Subject to proof of purchase.

Shower Enclosures and Shower Trays

10 year parts (subject to registration), or 2 years with proof of purchase. 1 year labour* (subject to registration), or 1 year with proof of purchase.

Heated Towel Rails

5 year parts only. Gold, painted and special finishes 3 years parts only. All subject to proof of purchase.

*Labour provided by an approved Bristan engineer. Guarantee only applies to products with a manufacturing fault. A deferred payment will be necessary in order to secure any visits by our engineers which will be charged if the problem is found **not** to be a manufacturing fault. If the fault is found to be down to a manufacturing error, the payment will be released and not charged.

This guarantee applies to products purchased within the United Kingdom or Republic of Ireland, but does not apply to products used commercially.

The guarantee is only available to original purchasers who have proof of purchase.

The installation must allow ready access to all products for the purpose of inspection, maintenance or replacement.

Any part found to be defective during the above guarantee period will be replaced without charge, providing that the product has been installed in accordance with the instructions, used as intended, and regularly serviced.

Servicing should be carried out at regular intervals of no more than 12 months and more frequently in hard water areas (heavy lime scale) areas.

In the unlikely event that any problems are encountered with the product's performance on installation, you must obtain guidance/authorisation from our Customer Service Department, and be able to supply proof and date of purchase, before any remedial action is taken.

The guarantee excludes general wear and tear and damage caused by accident, misuse or neglect, and does not cover the following:

Guarantee cont.

- Components that are subject to general wear and tear such as filters, seals, 'O' rings and washers etc.
- Damage caused by faulty installation
- Damage caused by lime scale or any waterborne debris
- Damage caused by inappropriate cleaning products (see cleaning section)
- Damage caused by the use of non-Bristan parts
- The product being used for a purpose other than intended by the manufacturer.

In the interests of continuous product improvement Bristan reserves the right to alter specification as necessary.

Replacement Parts Policy

Important:

In the event of product or component malfunction, DO NOT tamper with or remove the product from site. Telephone the Customer Services Department and be prepared with the date of purchase, model number and a clear description of the complaint.

Our service staff are fully qualified to advise on correct installation procedures and will be able to diagnose whether the fault will require a replacement part or a visit from a Bristan engineer.

If required, a service call will be booked and either yourself or an appointed representative (who should be a person of 18 years or over) must be present during the visit.

All site visits to products out of guarantee will be carried out free of any parts or labour charges provided the conditions of the guarantee have been adhered to (the 2nd to 5th year of the guarantee is parts only, unless registered).

All site visits to products out of guarantee will be subject to charges for parts and labour. Charges will also be levied on cancelled appointments, unless advised to Bristan at least 24 hours in advance of the agreed date and time.

Should a product be discontinued, Spare parts stocks will be maintained, but in the event of a part becoming unavailable Bristan reserve the right to supply a substitute of equal quality.

In order to log an enquiry with us please visit <http://www.bristan.com/customerservice>

Opening times: Please refer to the Bristan website.

Customer Service: Tel: 0844 701 6273 • Fax: 0844 701 6275

Part Number: PM VSHXAR C

Issue: D7

BRISTAN

Bristan Group Ltd.
Birch Coppice Business Park
Dordon
Tamworth
Staffordshire
B78 1SG
Web: www.bristan.com
Email: enquire@bristan.com

A Masco Company