



Features:

- Long life ceramic cartridge for added durability and ease of use
- Metal fixing nut for added durability
- Includes clicker waste
- Minimum working pressure of 0.3 bar
- Requires minimum operating pressure 0.3 bar

Product Certifications:



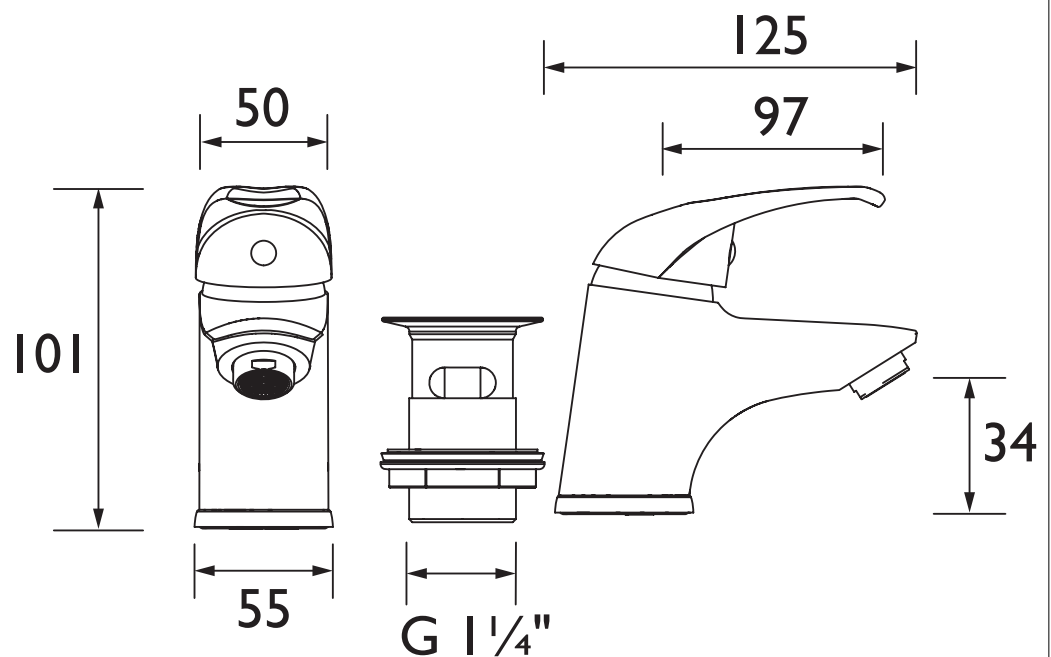
For more products, visit our website:
<http://www.bristan.com>



Specification

Product Type:	Bathroom Tap
Main Construction Material:	Brass
Mount Type:	Deck Mounted
Handle Type:	Lever Handles
Connection Inlet:	M10 x 15mm Screw-in Copper Pipes
Connection Outlet:	M20 Flow Straightener
Number of Tap Holes:	1
Valve/Cartridge Type:	25mm Ceramic Cartridge
Plumbing System Requirements:	Suitable for all plumbing systems
Minimum Dynamic Pressure:	0.5 Bar
Maximum Dynamic Pressure:	5.0 Bar
Maximum Hot Water Temperature: °C	65
Maximum Static Pressure: (bar)	10
Flow Type:	Single Flow
Isolation Included:	No

Dimensions (measurements in mm)



Flow Rates (l/min)

System Pressure (bar)	0.5	1	2	3	5
J MBAS C (Mixed)	7.06	10.27	14.67	18.03	23.16
J MBAS C (Hot)	6.91	9.78	13.89	17.09	22.03
J MBAS C (Cold)	6.56	9.56	13.64	16.83	21.75

TECHNICAL DATA SHEET



BRISTAN