

QST 1/2 C

QUEST Tap Range Quest Basin Taps Chrome



Features:

- Long life 1/4 turn ceramic disc valves for added durability and smooth control.
- Robust metal fixing nut to secure the tap in place reducing the risk of loosening over time.
- A hard-wearing, flawless, scratch resistant chrome finish that lasts for years. Salt spray tested to ensure added durability.
- 10 year parts and 1 year labour guarantee for peace of mind.
- Co-ordinating Bathroom taps available.

Product Certifications:



WRAS Certificate No: 2203908
WRAS Expiry Date: 31/03/2027



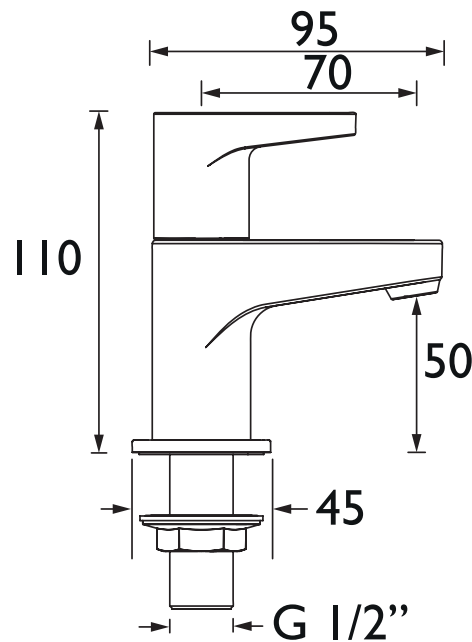
For more products, visit our website:
<http://www.bristan.com>



Specification

| | |
|--|-----------------------------------|
| Product Type: | Bathroom Taps |
| Main Construction Material: | Brass |
| Mount Type: | Deck |
| Handle Type: | Lever |
| Connection Inlet: | 1/2" BSP |
| Connection Outlet: | M16 Aerator |
| Number of Tap Holes: | 2 |
| Valve/Cartridge Type: | 1/2" Ceramic Disc Valve |
| Plumbing System Requirements: | Suitable for all plumbing systems |
| Minimum Dynamic Pressure (bar): | 0.2 bar |
| Maximum Dynamic Pressure (bar): | 5.0 bar |
| Maximum Hot Water Temperature °C: | 65°C |
| Maximum Static Pressure (bar): | 10 bar |
| Isolation Included: | No |

Dimensions (measurements in mm)



Flow Rates (l/min)

| System Pressure (bar) | 0.2 | 0.5 | 1 | 2 | 3 | 5 |
|-----------------------|-----|------|------|------|------|------|
| QST 1/2 C (Cold) | 8.4 | 13.2 | 18.7 | 26.5 | 32.4 | 41.8 |
| QST 1/2 C (Hot) | 8.4 | 13.2 | 18.7 | 26.5 | 32.4 | 41.8 |

TECHNICAL DATA SHEET



BRISTAN

D10