

BRISTAN

Economy Sink Waste
Basket Strainer Waste & Overflow

Installation Instructions & User Guide



IMPORTANT: Please keep these instructions for future reference and request of replacement parts

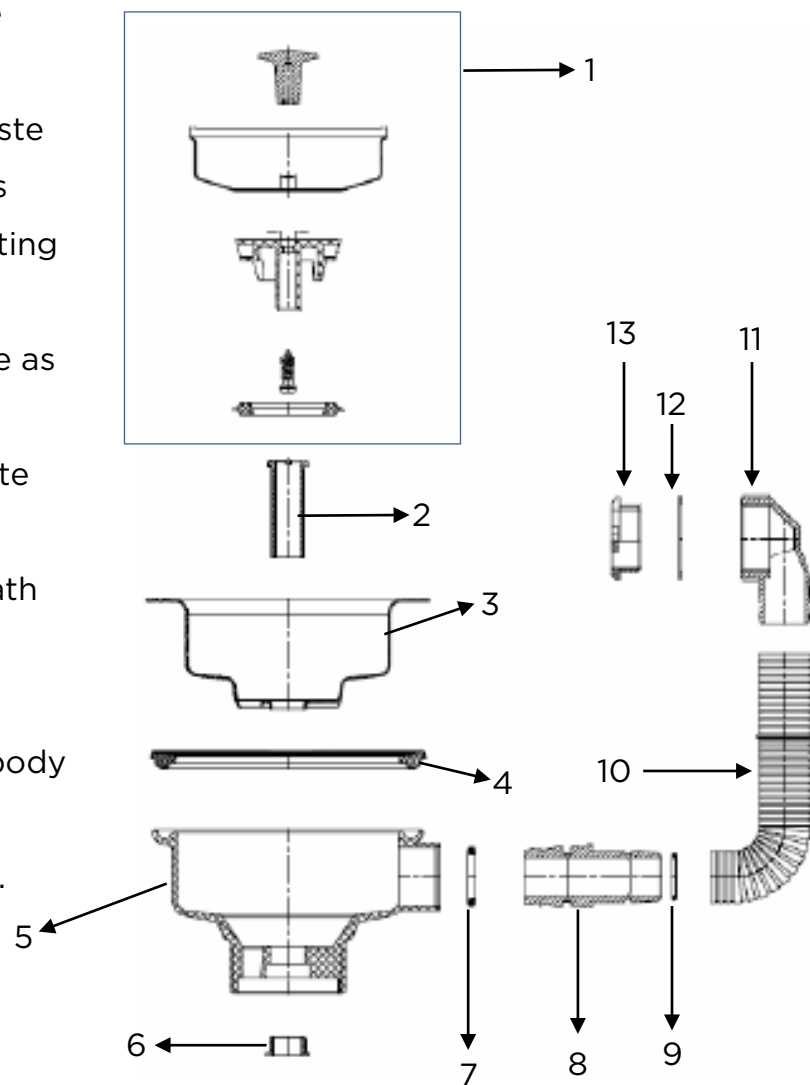
BRISTAN

Introduction

Thank you for choosing Bristan, the UK's leading taps and showers expert. We have designed this product with your enjoyment in mind. To ensure that it works to its full potential, it needs to be fitted correctly. These fitting instructions have been created to give you all of the information you need and, if you need any further help, please do not hesitate to give us a call on 0330 026 6273.

Installation

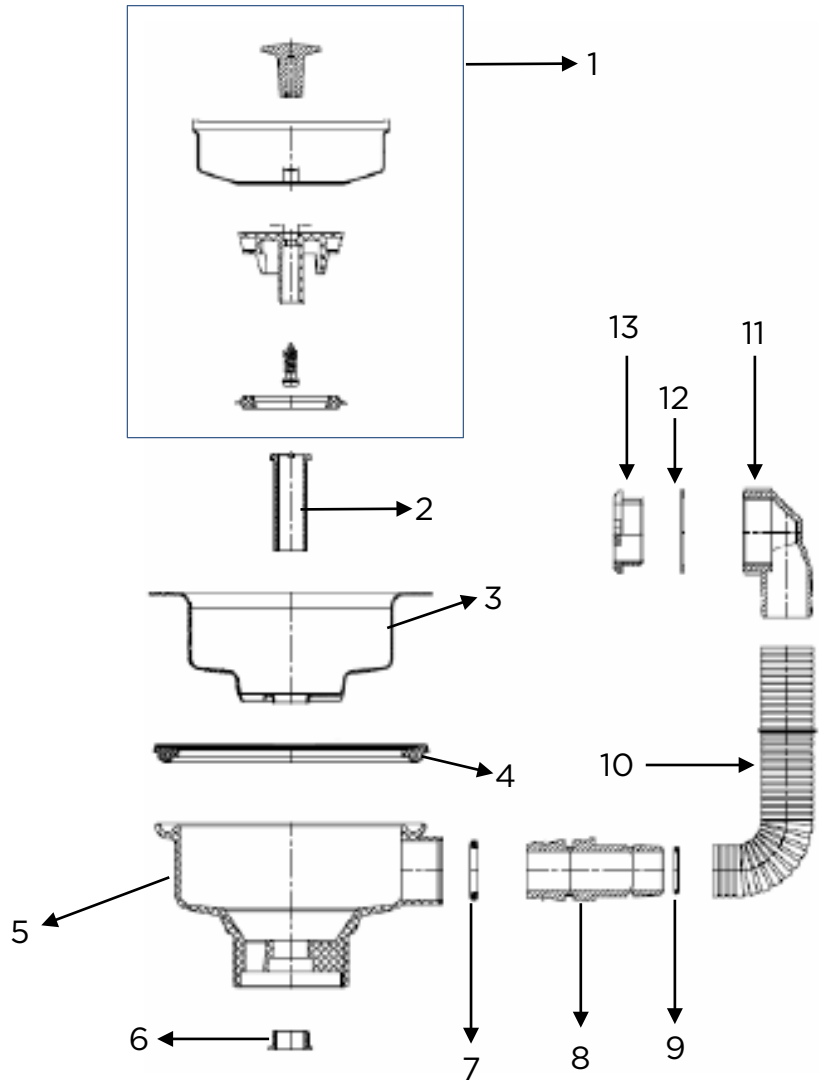
1. Identify all components are present prior to installation.
2. Fit the flange (3) to the sink, using a pure silicon sealant where necessary.
3. Attach the rubber washer (4) and the waste body (5) to the underneath of the sink, as shown in the diagram. Secure them by fitting and tightening screw (2).
4. Place the waste strainer (1) into the flange as shown in the diagram.
5. Fit the overflow connector (8) to the waste body (5) using washer (7).
6. Connect the overflow elbow (11) to the bath using washer (12) and screw on overflow face (13).
7. Connect the overflow tube to the waste body (5) and overflow elbow (11).
8. Check all joints and connections for leaks.



BRISTAN

Components:

1. Waste Strainer Assembly
2. Screw
3. Waste Flange
4. Rubber Washer
5. Waste Body
6. Nut
7. Washer
8. Overflow Connector
9. Washer
10. Overflow Tube
11. Overflow Elbow
12. Washer
13. Overflow Face



Notes:

BRISTAN

This booklet covers all product codes:

W SNK4 C

Helpline
0330 026 6273

Bristan Group Limited
Birch Coppice Business Park, Dordon, Tamworth, Staffordshire B78
1SG

A Masco Company

Website:

www.bristan.com

Telephone: 0330 026 6273

Email: enquire@bristan.com

At Bristan, we want to make things as easy as possible for our customers. That's why we offer solid guarantees on all our products, effective from the date of purchase, to give you peace of mind.

To start your free guarantee, simply scan the QR code and Register your product.

Alternatively, visit www.bristan.com/register to register your product via a computer.

For full guarantee terms and conditions visit, www.bristan.com/guarantees



We Know & We Care