



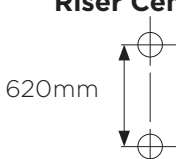
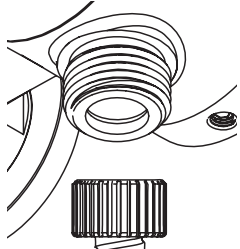
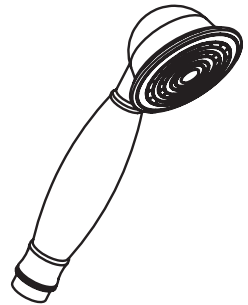
BRISTAN

Installation Instructions & User Guide

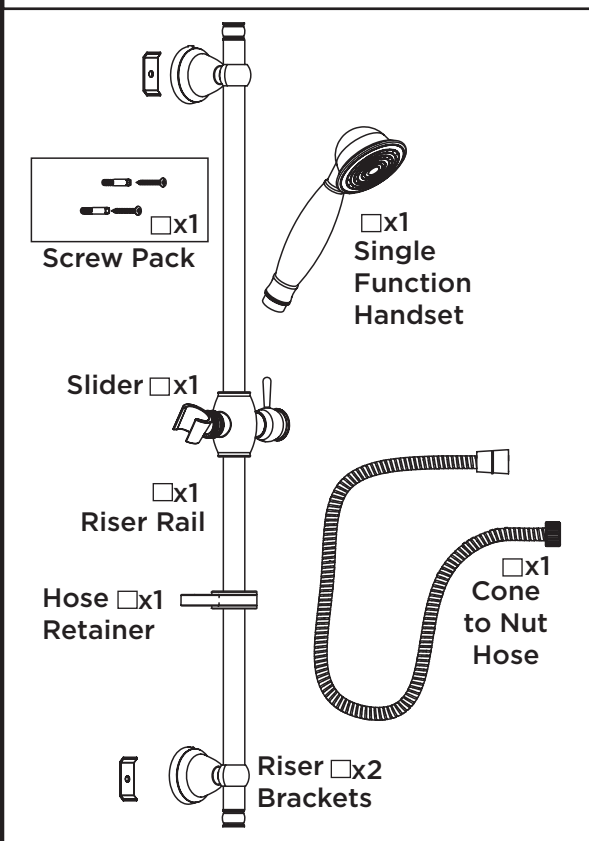
Please leave these instructions with the end user

Product Code: KIT106 C (D2)

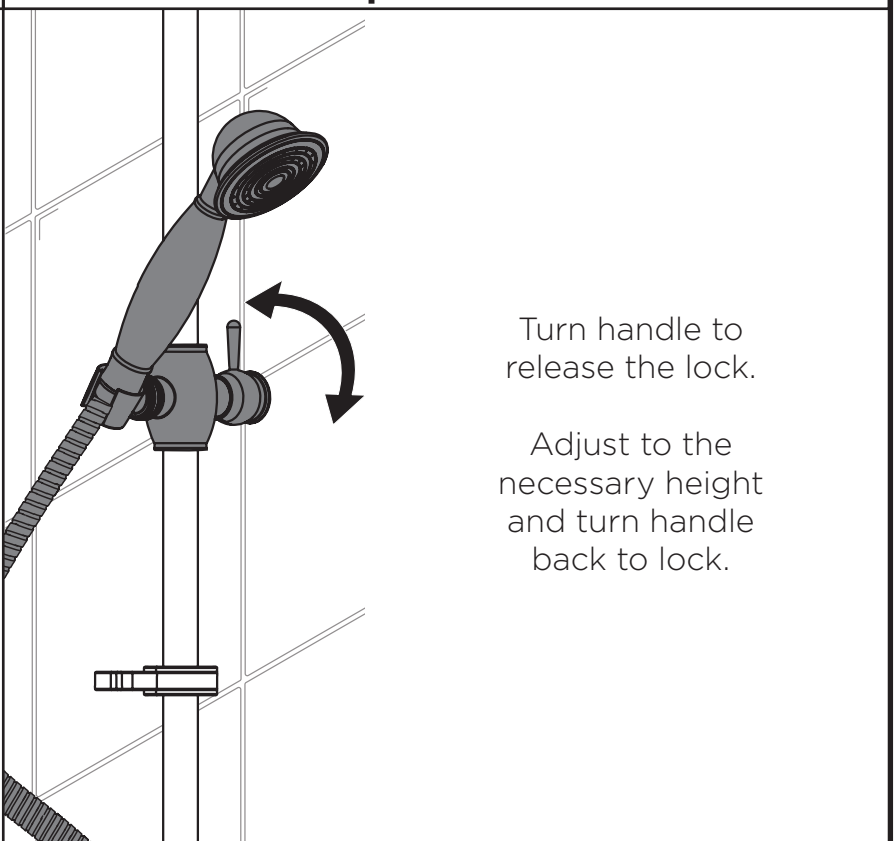
Specification

<p>Dynamic Water Pressure Min: 0.2 bar Max: 5.0 bar</p>  <p>Maximum Static Pressure: 10.0 bar</p>	<p>Inlet Water Temperature</p>  <p>Max Hot: 60°C</p> <hr/> <p>Riser Centres</p>  <p>620mm</p>	<p>Inlet Connection</p>  <p>1/2" BSP</p>	<p>Outlet Connection</p>  <p>Single Function Handset</p>
--	---	---	--

Pack Contents



Operation



Tools Required for Installation



Contents

Thank you for choosing Bristan, the UK's leading taps and showers expert. We have designed these products with your enjoyment in mind. To ensure that they work to their full potential, they need to be fitted correctly. These fitting instructions have been created to give you all of the information you need and, if you need any further help, please do not hesitate to give us a call on 0330 026 6273.

• Prior to Installation	3
• Adjustable Riser Installation	4-5
• Cleaning	6
• Our Guarantee	6
• Notes	7
• Troubleshooting	8
• Spare Parts	8
• Contact	8

Prior to Installation

All products manufactured and supplied by Bristan are safe to use provided that they are installed, operated and receive regular maintenance in accordance with these instructions.

This product needs to be installed in accordance with, and meet the requirements of The Water Supply (Water Fittings) Regulations (Northern Ireland) 2009 and The Water Supply (Water Fittings) (Scotland) Byelaws 2014.

For full Installation Requirements & Notes (IRN) please visit **www.wrasapprovals.co.uk/approvals-directory**

Isolation valves must be fitted to the inlet water supplies to ensure ease of future maintenance.

Before installing this product the water supply must be thoroughly flushed in order to remove any swarf, solder etc. Full access must be made available for future maintenance/servicing purposes.



Compare the inlet water temperature of this product to the shower, and any other shower accessories you are installing as part of your set up. Ensure that the lowest maximum inlet water temperature is adhered to when installing your shower.

This product must not be modified in any way as this will invalidate the guarantee.

Full access must be made available for future maintenance/servicing purposes.

Before drilling into walls, check that there are no hidden electrical wires, cables or water supply pipes. This can be checked with the aid of an electronic detector.

If power tools are used do not forget to:




- Wear eye protection
- Unplug equipment after use

If in doubt, contact a registered plumber or your Local Water Authority or the Secretary of the Institute of Plumbing, address as follows:-

The Institute of Plumbing,
64 Station Lane,
Hornchurch,
Essex,
RM12 6NB, Tel: 01708 472791

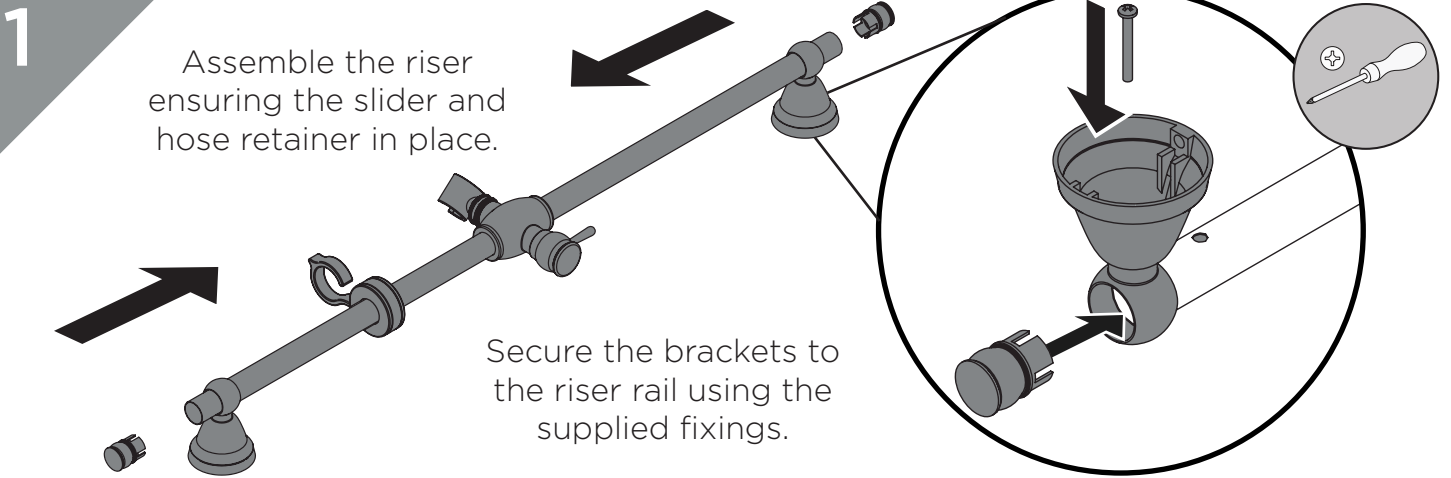
Adjustable Riser Installation

 PLEASE NOTE - Risers shown in these instructions are for illustration purposes only. Your riser outlet can still be installed by following these instructions.

1

Assemble the riser ensuring the slider and hose retainer in place.

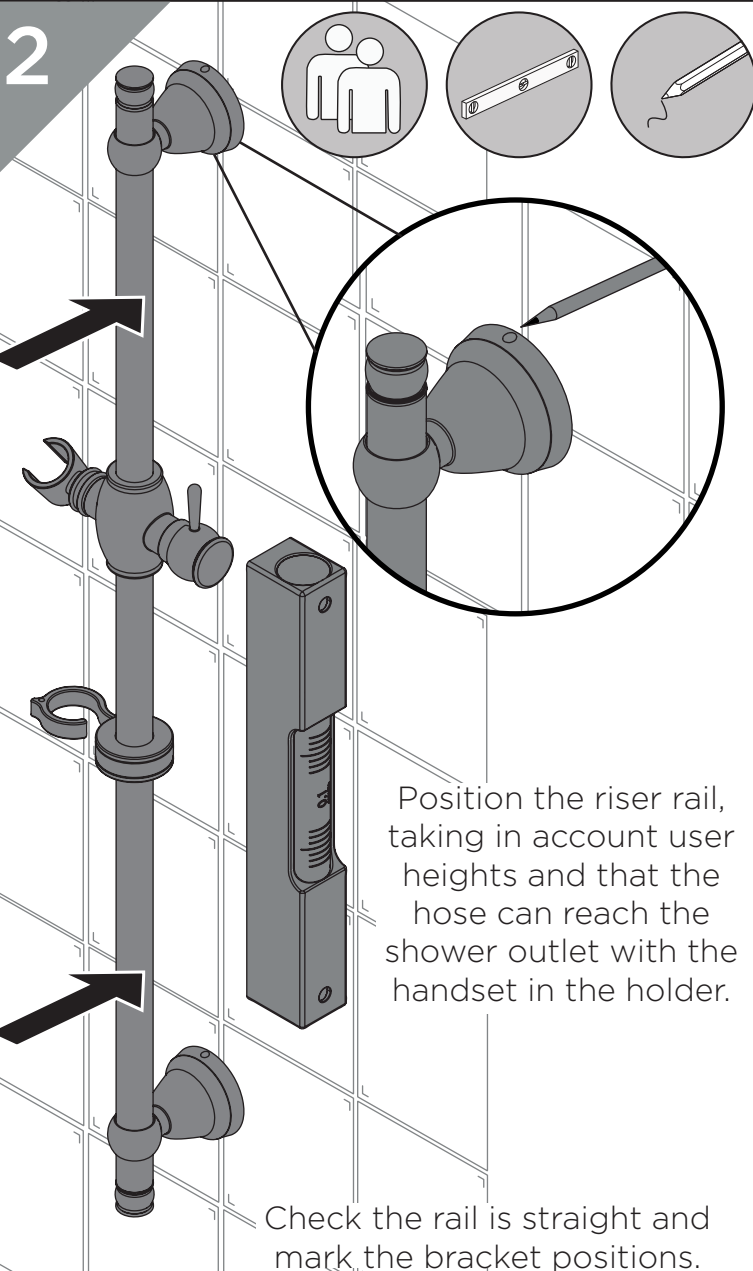
Secure the brackets to the riser rail using the supplied fixings.



2

Position the riser rail, taking in account user heights and that the hose can reach the shower outlet with the handset in the holder.

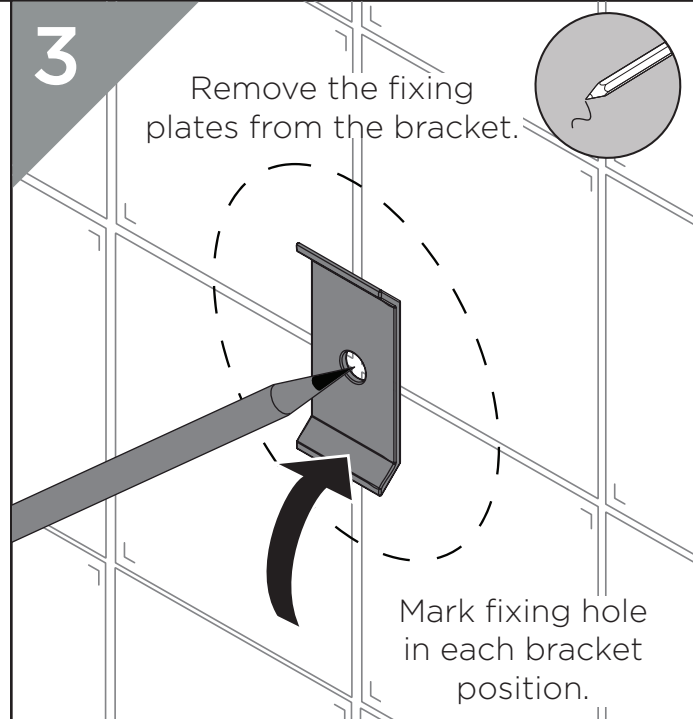
Check the rail is straight and mark the bracket positions.



3

Remove the fixing plates from the bracket.

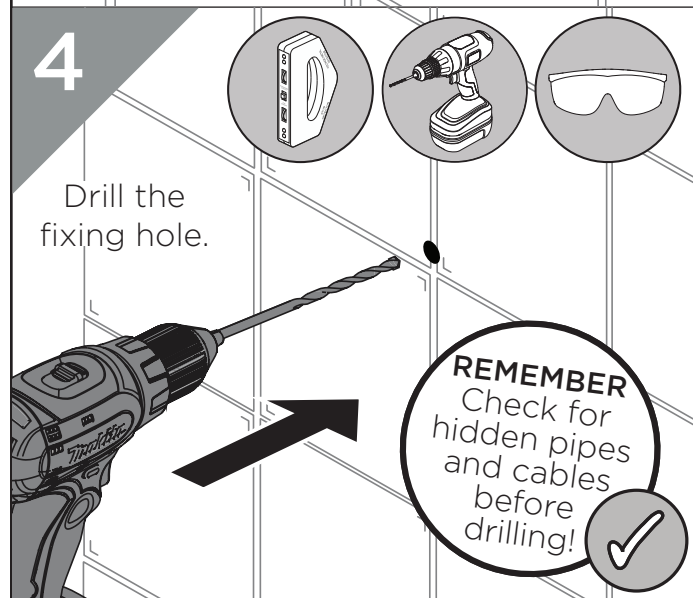
Mark fixing hole in each bracket position.




4

Drill the fixing hole.

REMEMBER
Check for hidden pipes and cables before drilling!

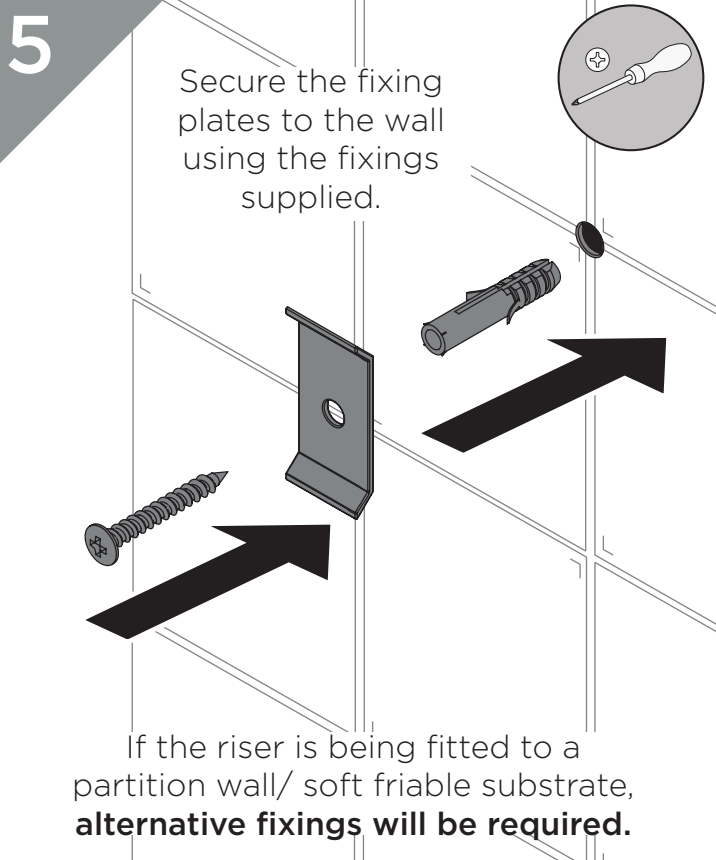


Adjustable Riser Installation

 PLEASE NOTE - Risers shown in these instructions are for illustration purposes only. Your riser outlet can still be installed by following these instructions.

5

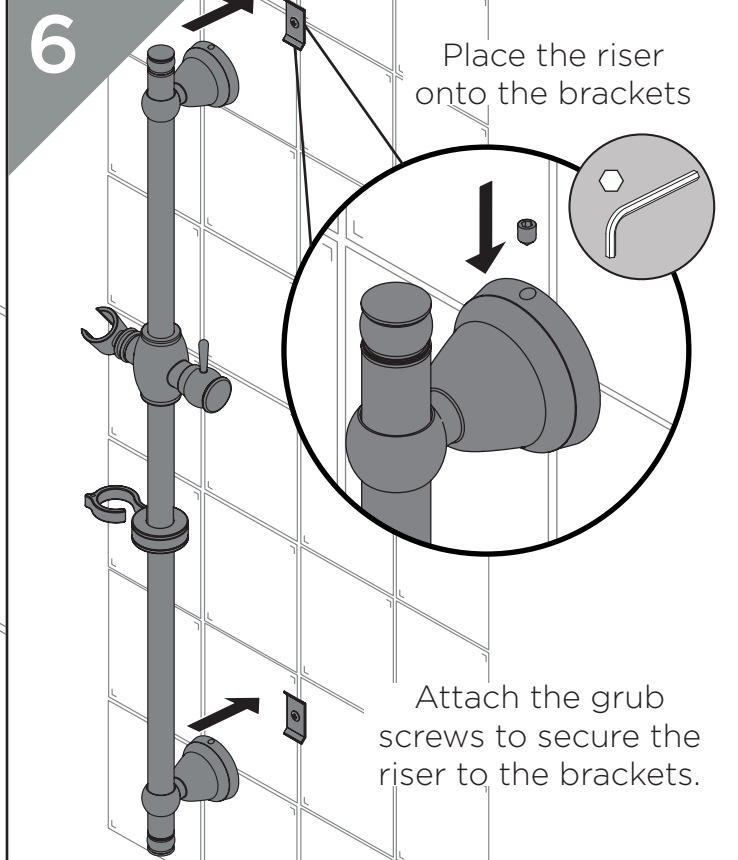
Secure the fixing plates to the wall using the fixings supplied.



If the riser is being fitted to a partition wall/ soft friable substrate, **alternative fixings will be required.**

6

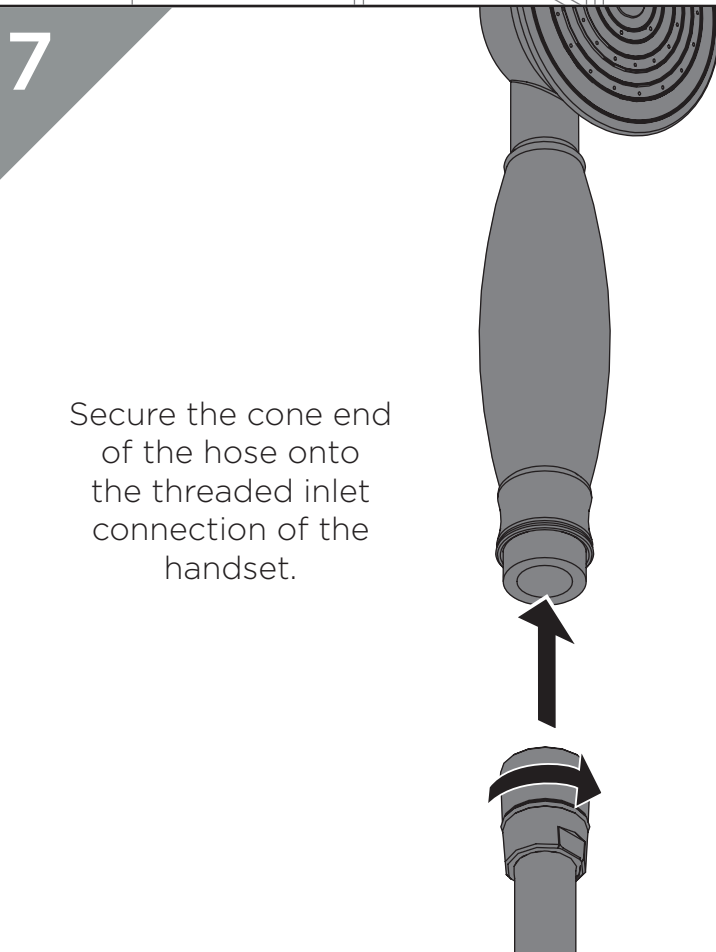
Place the riser onto the brackets



Attach the grub screws to secure the riser to the brackets.

7

Secure the cone end of the hose onto the threaded inlet connection of the handset.

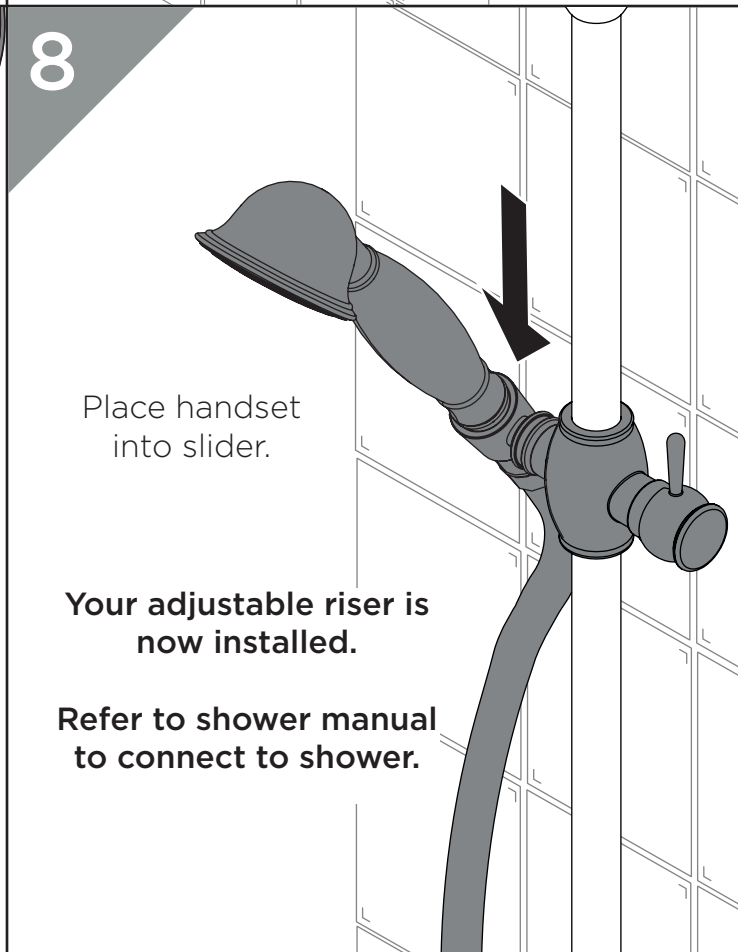


8

Place handset into slider.

Your adjustable riser is now installed.

Refer to shower manual to connect to shower.



Cleaning

General Cleaning

Bristan products are made from premium materials, with hand polished, PVD, EPD or electroplated finishes. Your product should be regularly cleaned with warm water, a mild pH-neutral liquid soap, and polished with a soft cloth. Any residues from soap, toothpaste, shampoos and shower gels can cause blemishes if not rinsed off straight after use.

Household bleaches and cleaners contain harsh chemicals and may damage the surface finish. Avoid using abrasive cloths, scouring pads, scrub sponges, steel wool or anything similar.

Cleaning The Shower Head

The hardness of the water in your area will determine how often you should clean your shower head. Build up of scale in particularly hard water areas combined with constant use means you may need to clean your shower head weekly. To ensure continued performance, the shower head needs to be regularly de-scaled.

Our Guarantee

At Bristan, we want to make things as easy as possible for our customers.

That's why we offer solid guarantees on all our products, effective from the date of purchase, to give you peace of mind.

To start your free guarantee simply scan the QR code and register your product. Alternatively visit www.bristan.com/register.

For any other queries, please call our Customer Service on **0330 026 6273** where our expert team of advisors will be able to offer you any help and advice.

For full guarantee terms and conditions visit www.bristan.com/service-centre/guarantees.



Notes

Please use this space for any notes you or your installer may have regarding the installation/plumbing of this product.

Troubleshooting

Symptom	Cause(s)	Remedy
No flow or low flow rate	Partially closed isolation valve.	Open isolation valve.
	Head of water is below the minimum distance required.	Refer to your specific product's Contents Page for the minimum working pressure/distance required.
	Inlet filter in the shower valve is blocked	Refer to the shower fitting instructions for Maintenance steps.
	Hot or cold water being drawn off elsewhere causing pressure changes or instantaneous boiler temperature changes.	Do not use other water outlets when using the taps.
	Airlock or partial blockage in the supply pipework or hoses.	Flush through pipework to ensure removal of debris and any airlocks.
	Shower hose is kinked, causing a blockage.	Un-kink the shower hose and check for any damage, Replace if necessary.
	Water supply failure	Investigate water supply. Check your plumbing and heating systems for any faults.
Water dripping from shower kit	This is normal for a short time after using the shower.	This is caused by residual water tension, the build up of water in the shower kit.
	If water continues to drip, possibly due to the ceramic disc valves/cartridge	Refer to the Maintenance section of your shower instructions to replace the valves/cartridge.

Spare Parts



To replace any spare parts for your tap, why not scan the QR Code or visit www.bristan.com and search for your product.

Contact Us

BRISTAN

Part of **BRISTAN GROUP**

Bristan Group Ltd.
A Masco Company

UK: Bristan Group,
Pooley Hall Drive,
Birch Coppice Business Park,
Dordon, Tamworth
B78 1SG.

EU: Masco Europe S.à.r.l.
14 Rue Strachen
6933 Mensdorf
Luxembourg

Email Us: enquire@bristan.com
Website: www.bristan.com
Call Us: +44330 026 6273